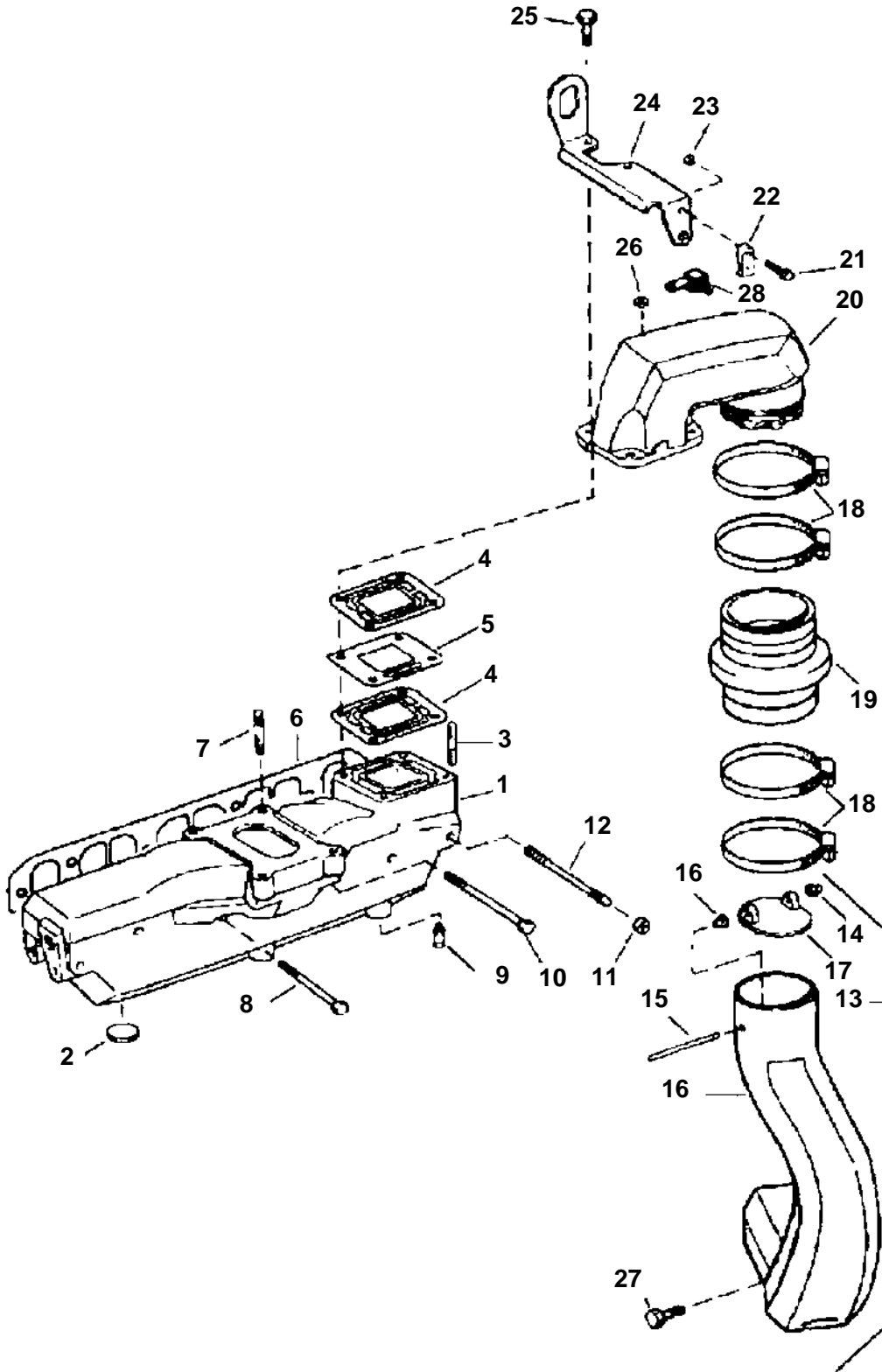


3.0GSMBY, 3.0GSPBY



3.0GSMBY, 3.0GSPBY

REF	PART NO.	QTY	DESCRIPTION	SEE SEC.	NOTES
1	3854045	1	Exhaust pipe		
2	3852134	2	· Core plug		
3	3853373	2	· Stud		
4	3850495	2	Gasket, High rise to manifold, exhaust		Part of engine gasket kit
5	3853628	1	Plate, High rise to manifold		
6	3853256	1	Gasket, Manifold to engine		Part of engine gasket kit
7	3853373	4	Stud, Carburetor to manifold		
8	3853430	3	Screw, Manifold to engine		
9	3850802	1	Plug, Exhaust manifold, water drain		
10	3853431	1	Screw, Manifold to engine		
11	3853404	2	Nut, Exhaust manifold to engine		
12	3853378	2	Stud, Exhaust manifold to engine		
13	3856448	1	Exhaust pipe kit		
14		2	· Bushing, Exhaust seal assy		
15		1	· Pin, Exhaust seal assy to exhaust pipe		
16	3851956	1	· Exhaust pipe, High rise to gimbal hsg		
17		2	· Seal, Exhaust pipe		
			· Bulletin P-25-1-2	P-25-1-2-EN	Exhaust Seal Obsolete
18	3852604	4	Hose clamp, Hose, exhaust pipe		
19	3852741	1	Hose, Exhaust pipe to manifold		
20	3857798	2	Exhaust riser, High riser, exhaust		
	3850740	2	· Plug		Not shown
21	3852048	1	Screw, Anchor, throttle cable to bracket		
22	3850266	1	Anchor, Throttle cable		
23	3852118	1	Nut, Anchor, throttle cable to bracket		
24	3854832	1	Bracket, Throttle control		
25	3853397	2	Screw, Elbow to manifold		Front
26	3852142	2	Nut, Stud, elbow to manifold		Rear
27	3855472	4	Screw, Exhaust housing to gimbal housing		
28	3853673	1	Elbow		Early; 3/8-in. I.D. hose
	3857821	1	Elbow		Late; 1/2-in. I.D. hose