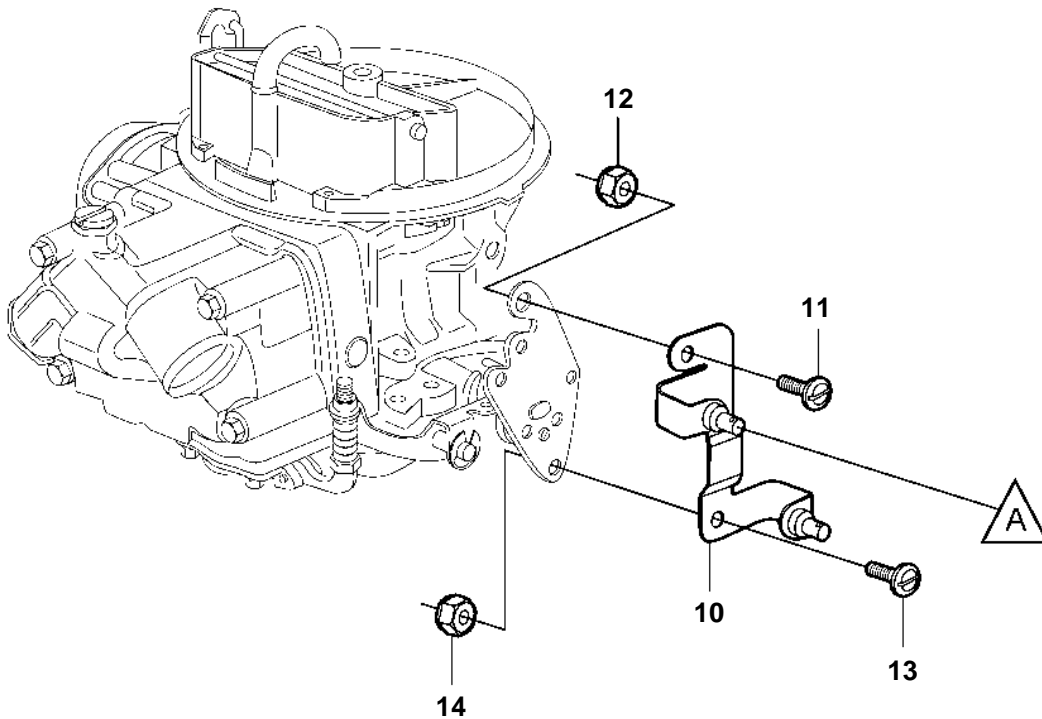
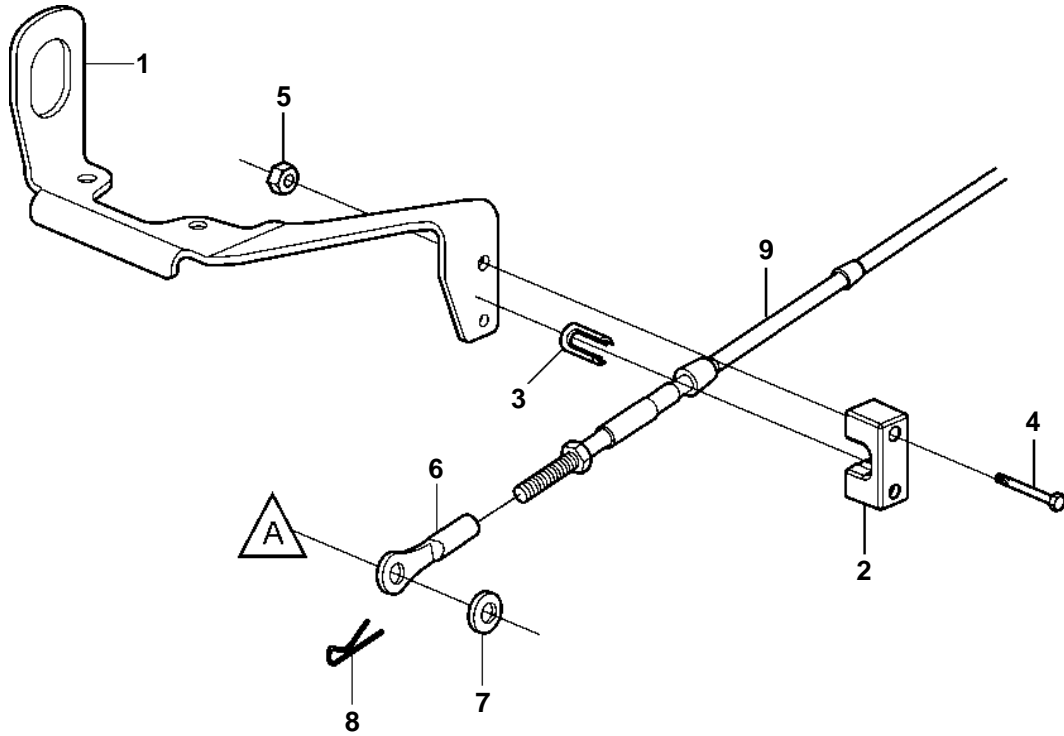


3.0GSMBY, 3.0GSPBY



3.0GSMBY, 3.0GSPBY

REF	PART NO.	QTY	DESCRIPTION
1	3854832	1	Bracket
2	3850266	1	Anchor
3	3852019	1	Retainer
4	3852048	1	Screw
5	3852118	1	Nut
6	3850941	1	Adapter
7	3852193	1	Washer
8	3852052	1	Split pin
9		X	Cable
10	3854833	1	Intermediate lever
11	3850415	1	Screw
12	3853758	1	Nut
13	3852154	1	Screw
14	3854468	1	Lock nut