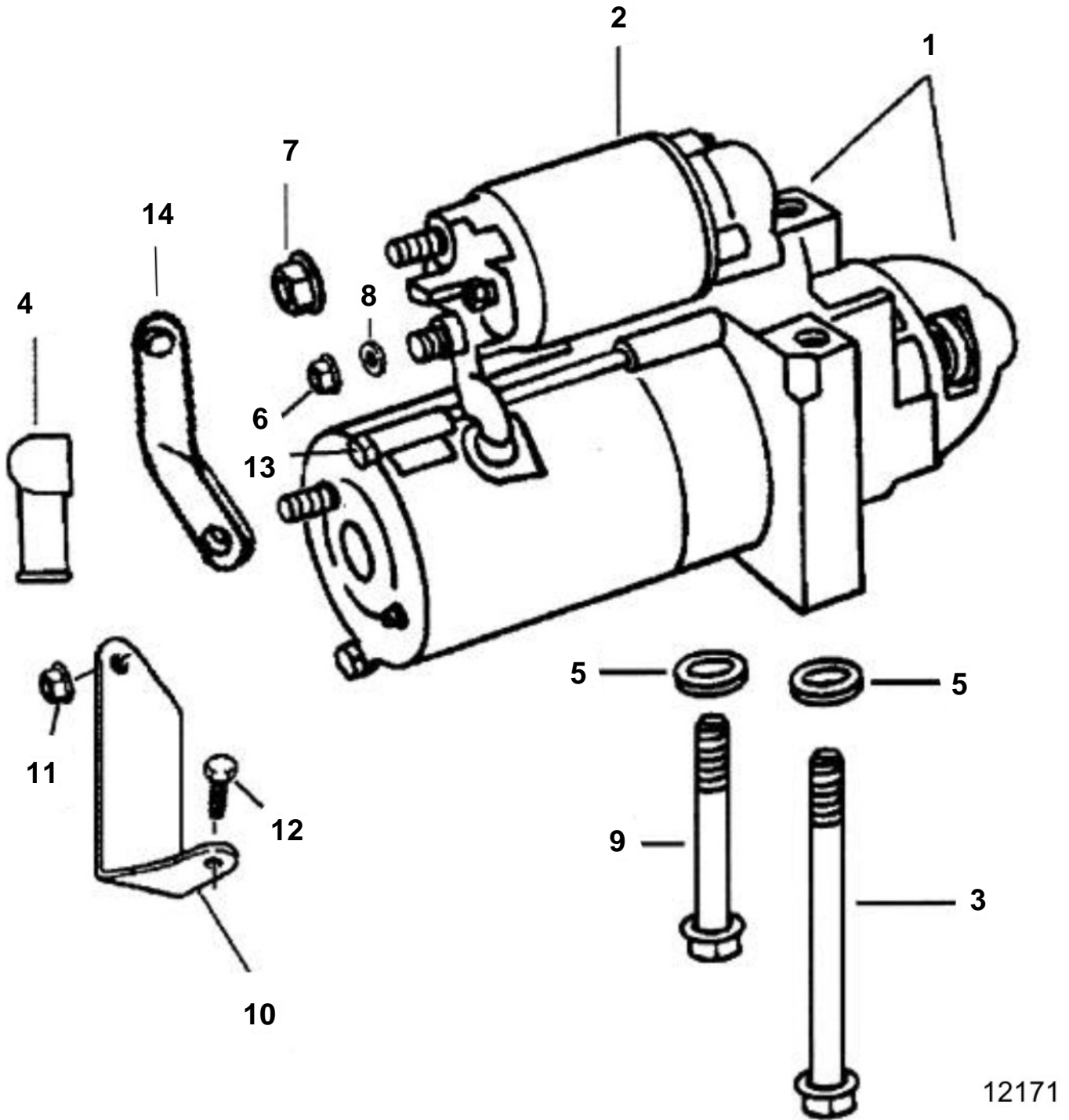


3.0GSMBY, 3.0GSPBY



12171

**3.0GSMBY, 3.0GSPBY**

REF	PART NO.	QTY	DESCRIPTION	NOTES
1	3856003	1	Starter motor	
2	3850216	1	• Solenoid	
3	3854752	1	Screw, Starter motor to engine	
4	3852487	1	Trunk, Battery cable	
5	3854496	2	Washer, Screw, starter motor to engine block	
6	3852518	1	Nut, Starter solenoid	
7	3853714	1	Nut, Battery cable	
8	3852520	2	Washer, Stud, starter motor solenoid	
9	3854871	1	Screw, Starter motor	
10	3855672	1	Support bracket kit	
11	3852079	1	Nut	
12	3853399	1	Screw	
13	3855901	1	Bolt	
14	3858478	1	Bracket	Late