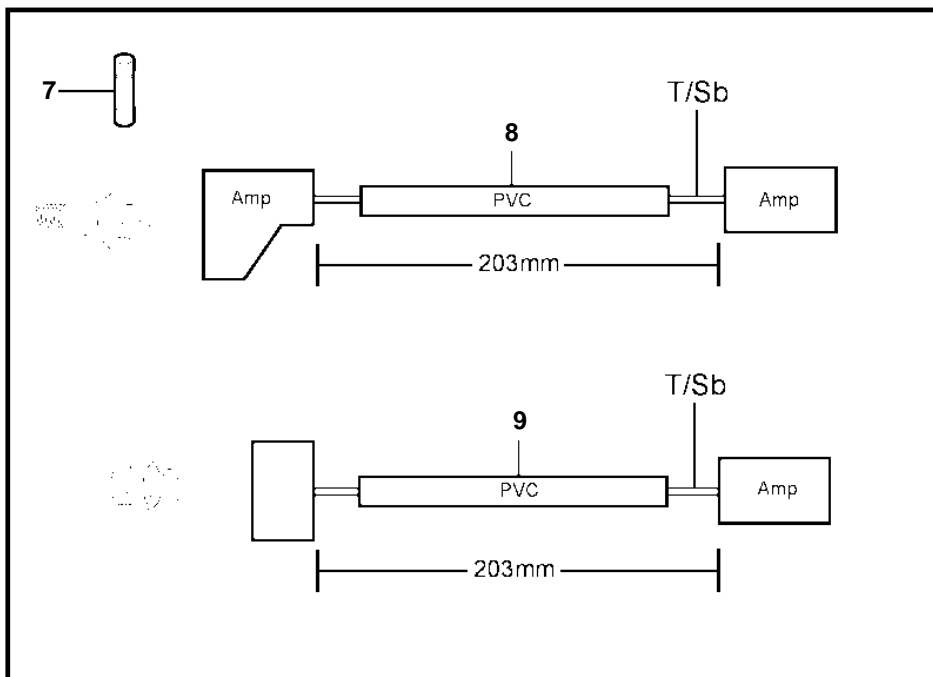
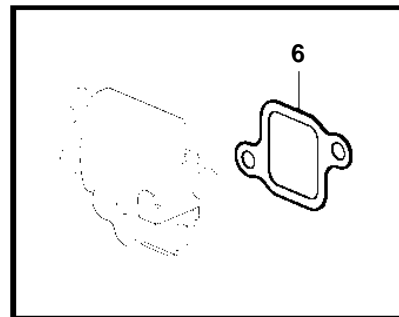
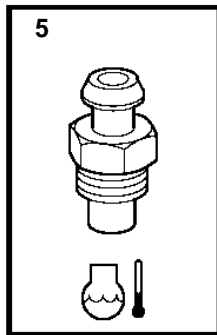
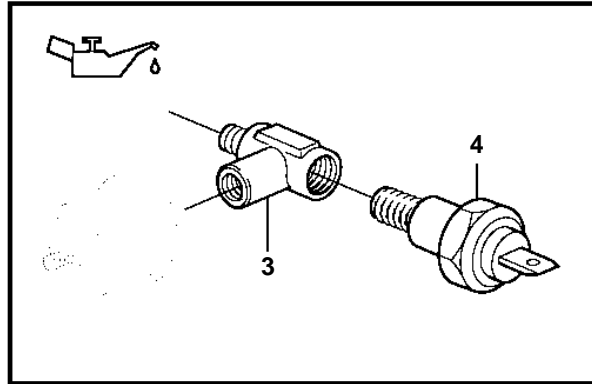
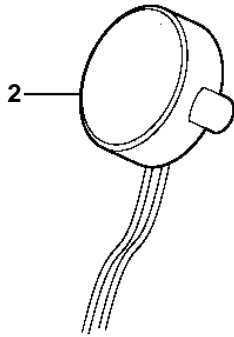


3.0GSMBY, 3.0GSPBY

1



24651

3.0GSMBY, 3.0GSPBY

REF	PART NO.	QTY	DESCRIPTION	NOTES
1		1	Alarm kit	3.0
2	3857457	1	· Horn	
3	3852610	1	· T-nipple	
4	3852215	1	· Pressure monitor, oil pressure	
5		1	· Breaker, coolant water temp.	
6	3852096	1	· Gasket	
7	956956	2	· Splice	
8	3857572	1	· Wiring harness	
9		1	· Wiring harness	