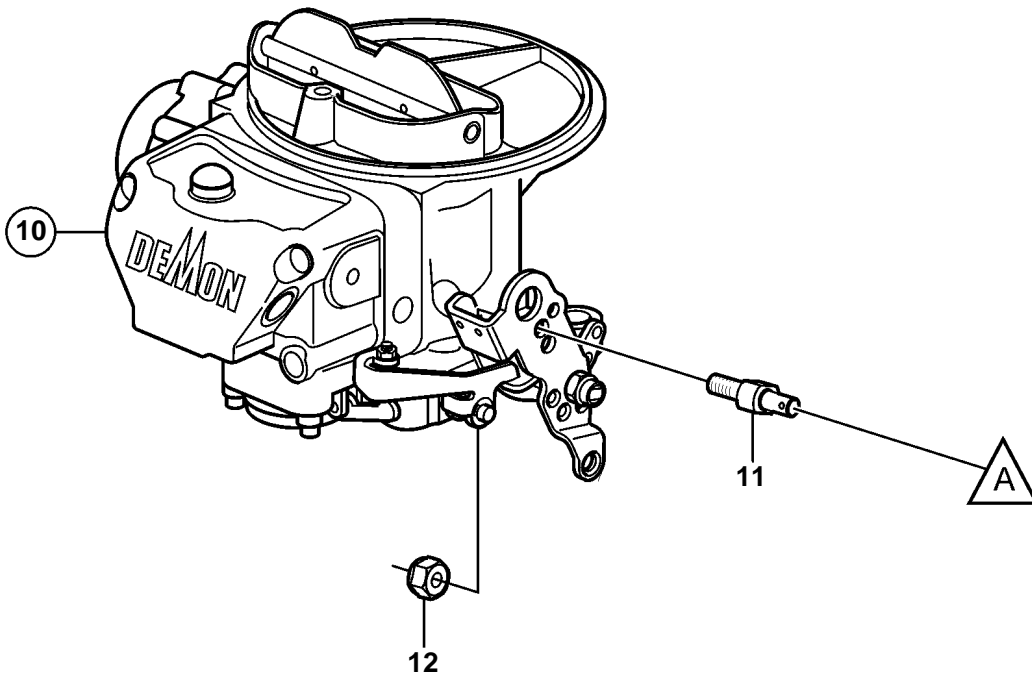
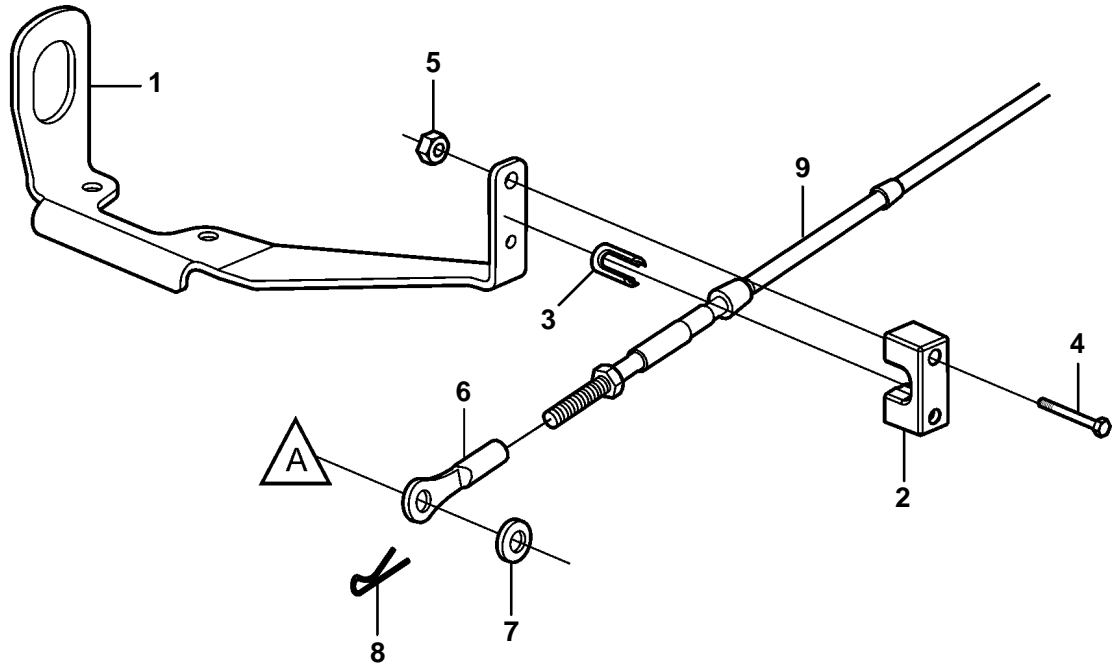


3.0GLP-J, 3.0GLP-N



3.0GLP-J, 3.0GLP-N

REF	PART NO.	QTY	DESCRIPTION	NOTES
1	3818678	1	Bracket	
	3862936	1	Bracket	3" riser extension
2	3850266	1	Anchor	
3	3852019	1	Retainer	
4		1	Screw	
5	3852118	1	Nut	
6	3850941	1	Adapter	
7	3852193	1	Washer	
8	3852052	1	Split pin	
9		X	Cable	
10	21211937	1	Carburetor	
11	21237700	1	• Pin	
12	3852118	1	• Nut	