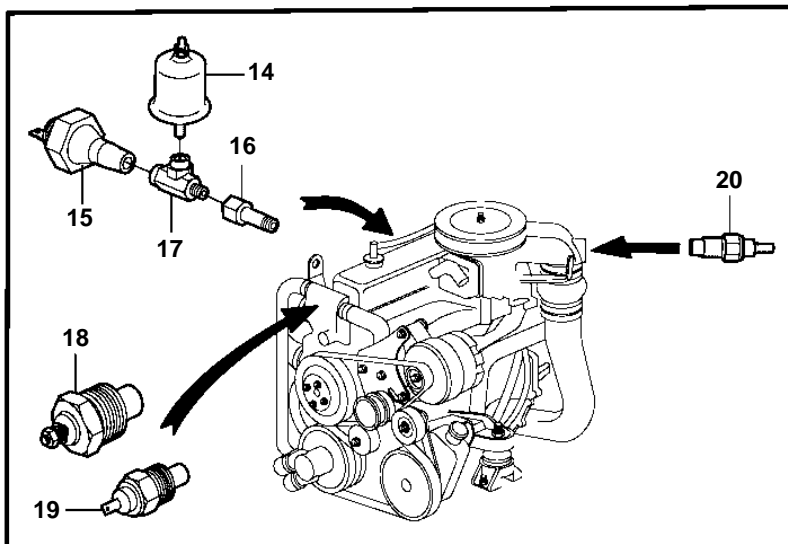
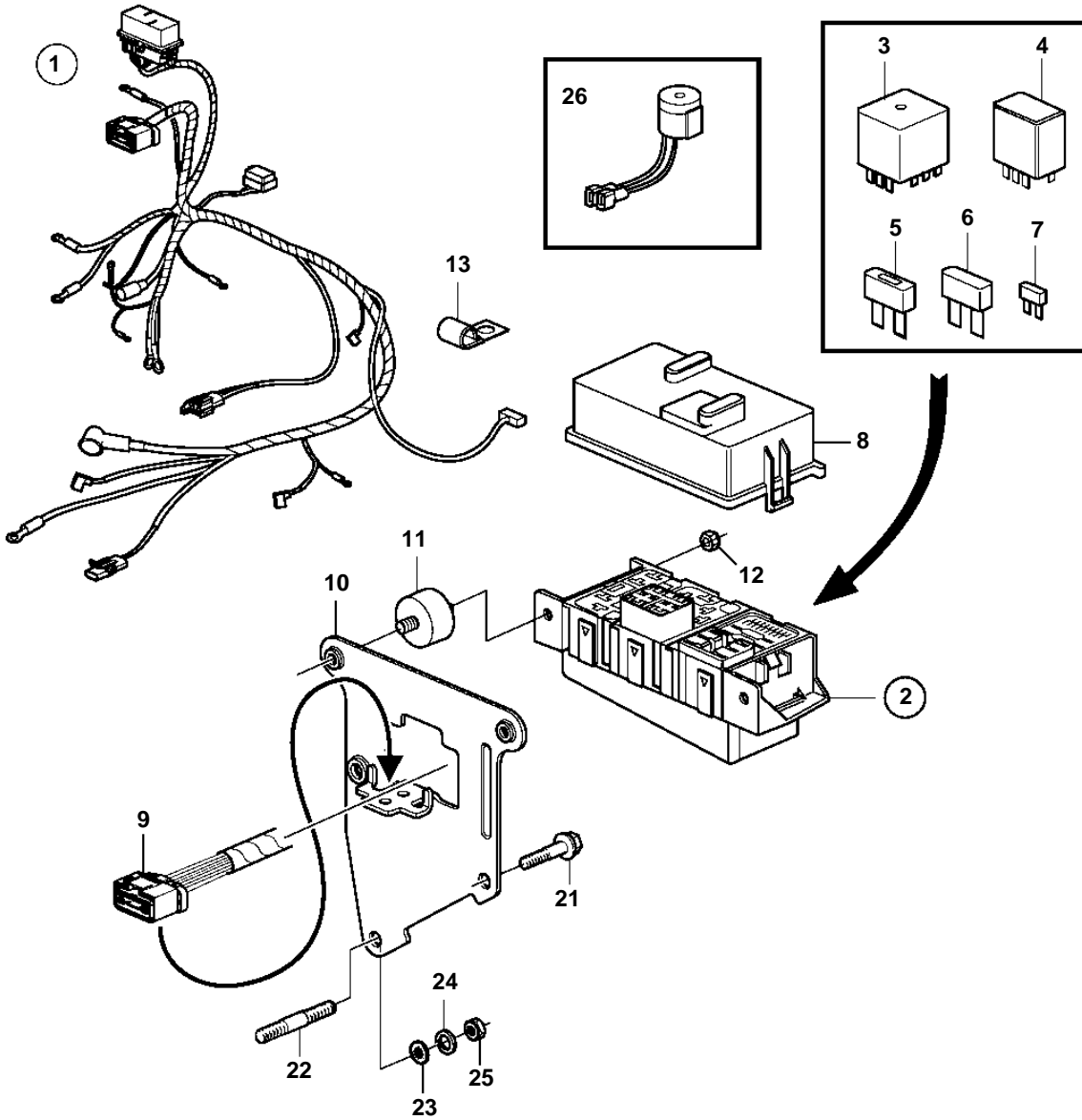


3.0GLP-E



23409

3.0GLP-E

REF	PART NO.	QTY	DESCRIPTION	NOTES
1	3884236	1	Cable harness	
2		1	· Fuse box	
3	3858809	3	· · Relay	
4	3841366	2	· · Relay	
5	3841369	1	· · Fuse	50A
6	3841370	1	· · Fuse	20A
	3841371	1	· · Fuse	40A
7	3841373	X	· · Fuse	5A
	3863403	X	· · Fuse	7.5A
	3841372	X	· · Fuse	10A
	3861373	X	· · Fuse	15A
	3861374	X	· · Fuse	20A
8		1	· Hatch	
9		1	· Connector, 14 pin	
10	3884948	1	Bracket	
11	3840402	2	Isolator	
12	3852118	2	Nut	
13	3852199	1	Clamp	
	3852146	1	Clamp	EXHAUST SENSOR LEAD
	3852434	1	Clamp	ALTERNATOR LEAD
14	3857532	1	Sender, oil pressure	
	872064	X	Sender, oil pressure	DUAL STATION
15	3852215	1	Switch, oil pressure	
16	3855776	1	Adapter	
17	3852610	1	T-nipple	
18	3852029	1	Sender, coolant water temp.	
	872068	X	Sender, coolant water temp.	DUAL STATION
19	872066	1	Switch, coolant water temp.	
20	3862500	1	Temperature sensor	EXHAUST
21	3860582	1	Screw	
22	3850571	1	Stud	
23	3852070	1	Washer	
24	3852002	1	Lock washer	
25	3852065	1	Nut	
26	3817974	1	Alarm	