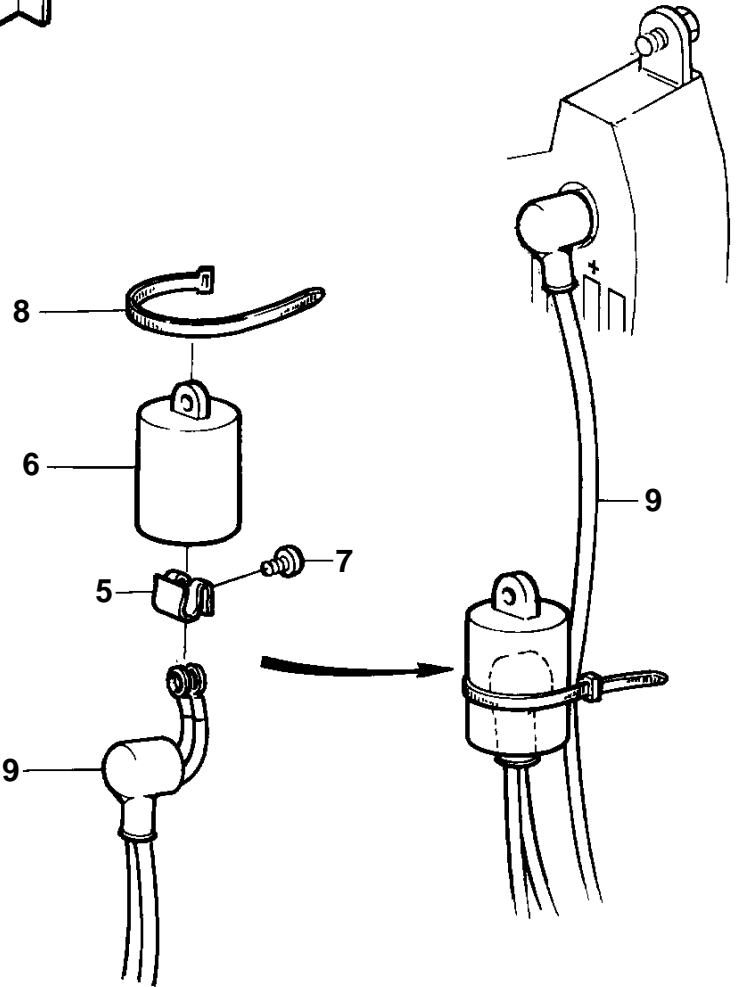
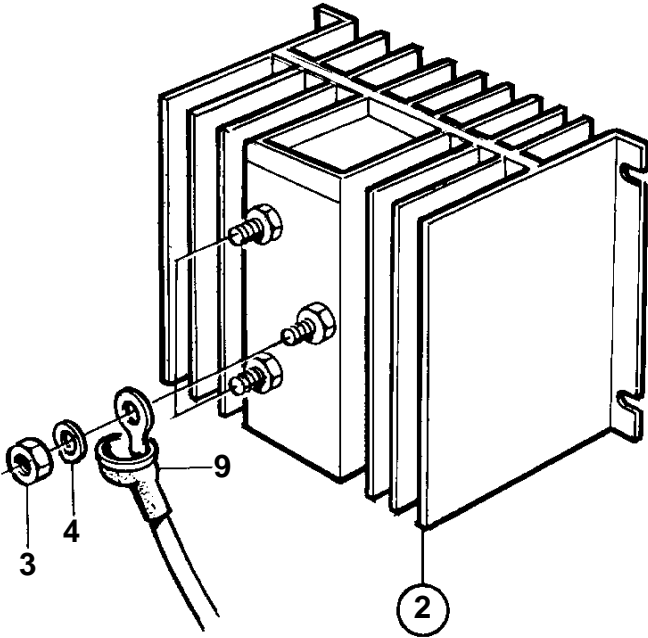


COMMON

1



COMMON

REF	PART NO.	QTY	DESCRIPTION	SEE SEC.	NOTES
1	873120	1	Charge distributor		FOR CHARGING OF 2 BATTERIES.. FOR ALTERNATORS 12- 28V UP TO 60A.
			Bulletin 52-07	52-07-EN	Charging Distributor
			Bulletin 52-11	52-11-EN	Charging Distributor
2	872928	1	· Charge distributor		
3	955846	3	· · Nut		
4	941906	3	· · Spring washer		
5	859492	1	· Spring nut		
6	859493	1	· Protecting casing		
7	955126	1	· Screw		
8	948210	1	· Strip clamp		
9		X	CABLES AND TERMINALS		SEE GROUP 3
		X	ELECTRICAL MATERIALS		SEE GROUP 3