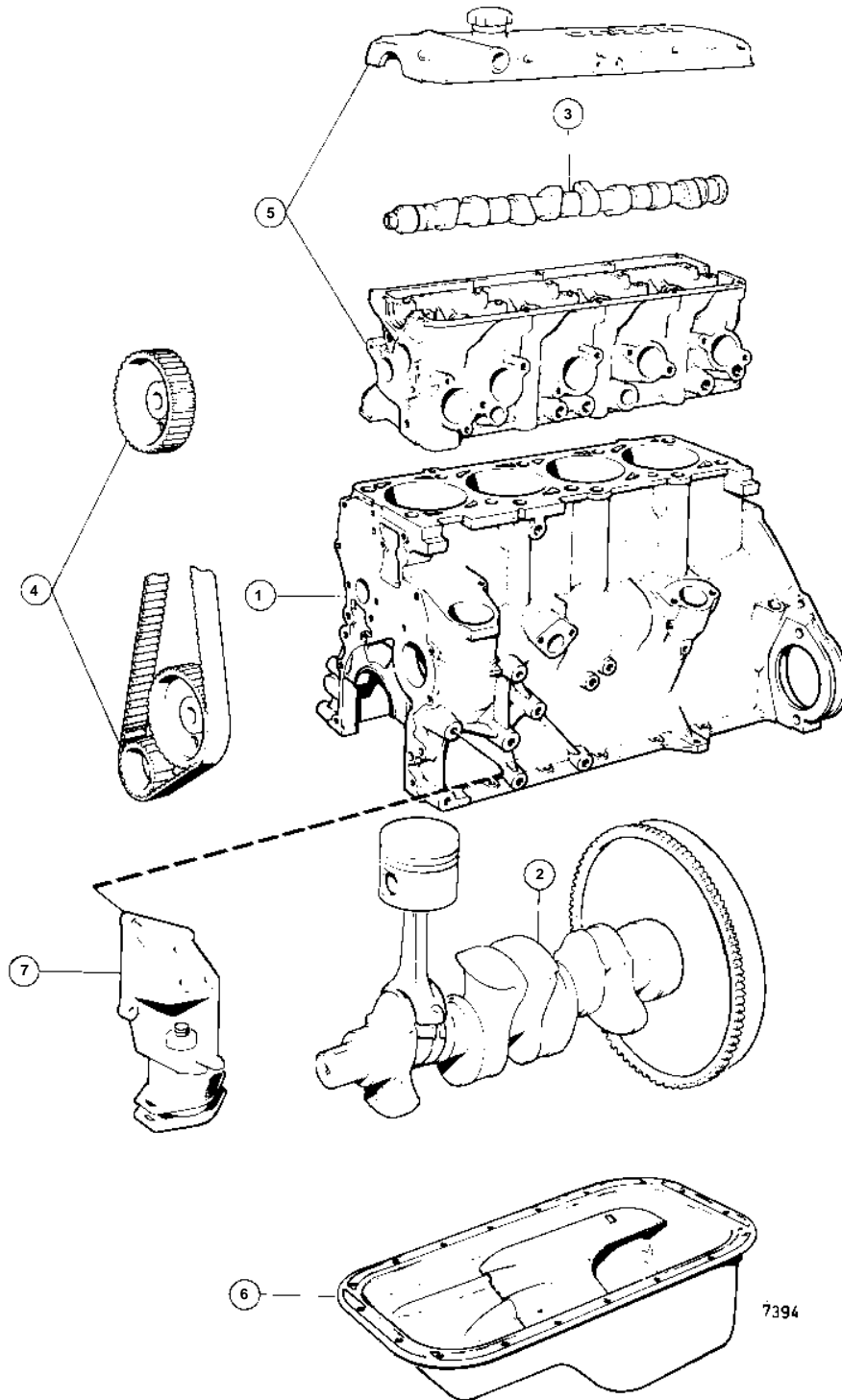


230A/SP-A/MT,230A,230B



230A/SP-A/MT,230A,230B

REF	QTY	DESCRIPTION	SEE SEC.
1	1	CYLINDER BLOCK	02A-0205
2	1	CRANKSHAFT AND RELATED PARTS	02A-0505
3	1	CAMSHAFT AND VALVE MECHANISM	02A-0705
4	1	BELT TRANSMISSION	02A-0955
5	1	CYLINDER HEAD	02A-0175
6	1	LUBRICATING SYSTEM	02A-1405
7	1	ENGINE MOUNTS	02A-1805