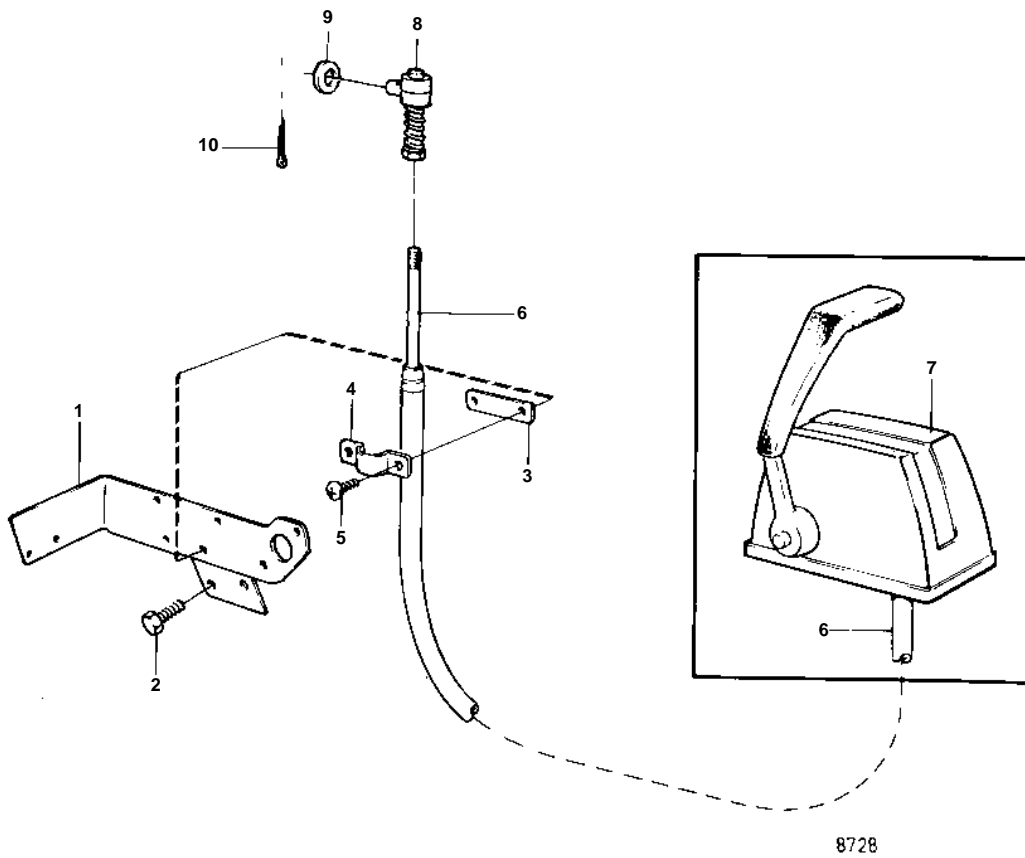


230A/SP-A/MT,230A,230B



230A/SP-A/MT,230A,230B

REF	PART NO.	QTY	DESCRIPTION	NOTES
1	855268	1	Bracket	
2	966378	2	Flange screw	
3	819068	1	Washer	
4	819067	1	Brace	
5	946753	2	Screw	
6		X	CONTROL CABLE	SEE GROUP 9
7		X	CONTROL	SEE GROUP 9
8	841275	1	Cube	
9	940191	1	Washer	
10	17276	1	Cotter pin	