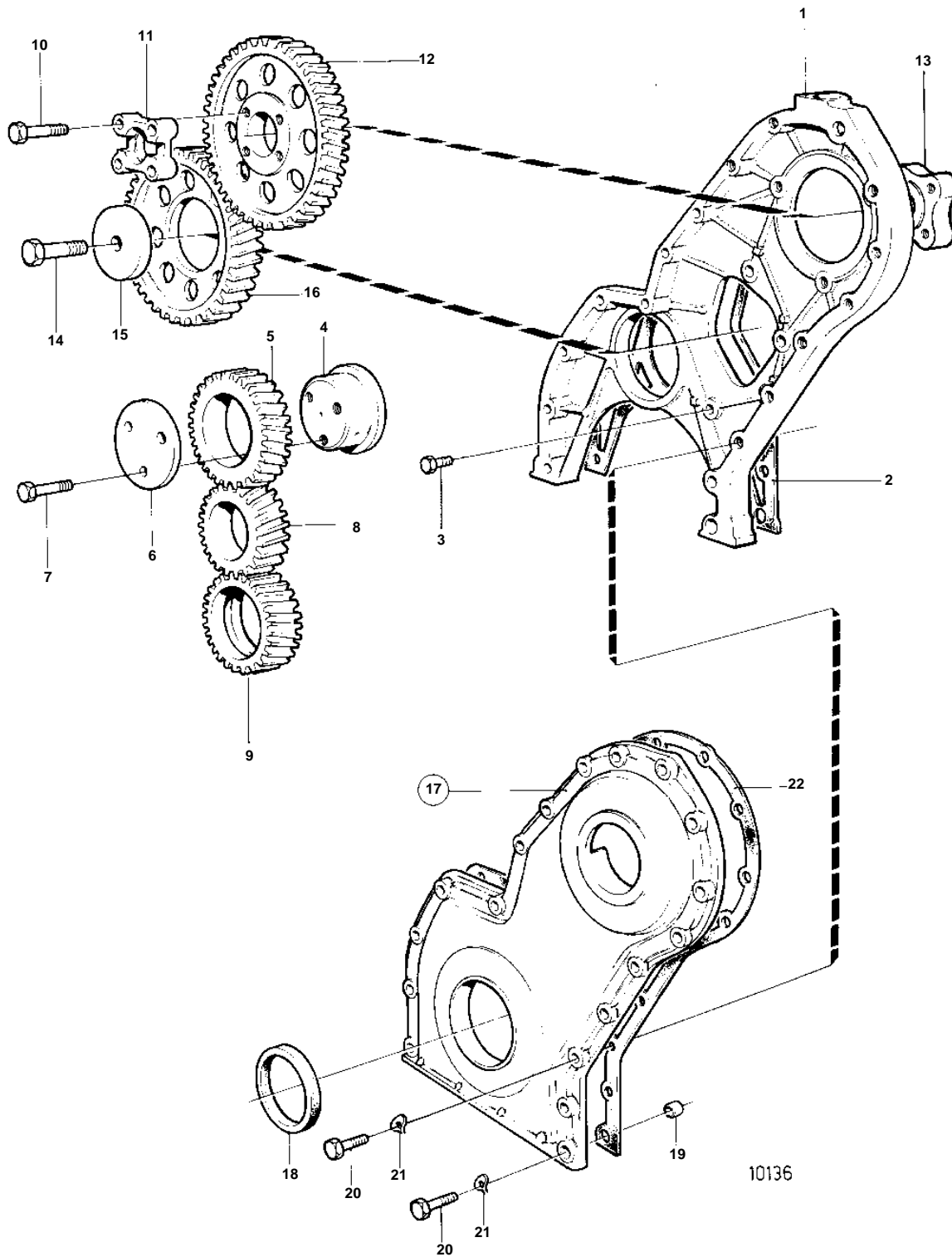


TMD41B,TAMD41B,D41B,AD41B



TMD41B,TAMD41B,D41B,AD41B

REF	PART NO.	QTY	DESCRIPTION	SEE SEC.	NOTES
1	838655	1	Timing gear casing		
2	859039	1	Gasket		
3	946173	3	Flange screw		L = 20 MM
	946671	1	Flange screw		L = 30 MM
4	838997	1	Pin		
5	1542061	1	Gear		
6	1542065	1	Thrust washer		
7	965180	3	Flange screw		
8	1542305	1	Gear		
9	1542215	1	Gear	02A-2410	
10	955298	4	Screw		
11	829523	1	Companion flange		
12	838657	1	Gear		
13	859601	1	Hub		
14	965193	1	Screw		
15	1542223	1	Washer		
16	1542034	1	Gear		
17	843086	1	Cover		
18	1542318	1	· Sealing ring		
19	415311	2	· Sleeve		
20	946470	7	Flange screw		L = 35 MM
	947760	1	Flange screw		L = 40 MM
	948217	1	Flange screw		L = 45 MM
	965181	6	Screw		L = 70 MM
	965182	2	Flange screw		L = 80 MM
	965183	1	Flange screw		L = 90 MM
21	941907	2	Spring washer		
22	859038	1	Gasket		