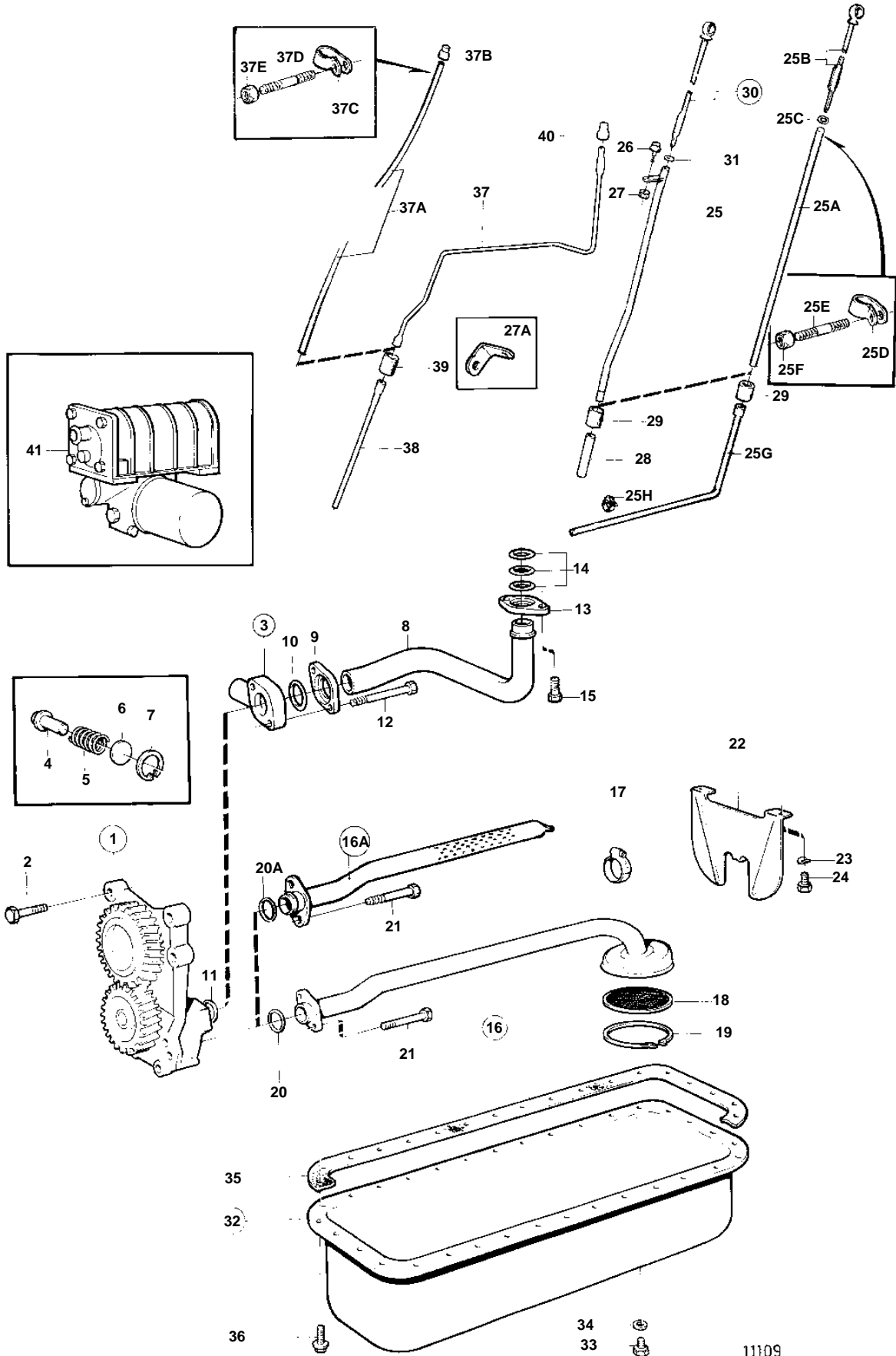


TMD41B,TAMD41B,D41B,AD41B



TMD41B,TAMD41B,D41B,AD41B

REF	PART NO.	QTY	DESCRIPTION	SEE SEC.	NOTES
1	860721	1	Oil pump		
				02A-2410	
2	948217	4	Flange screw		
3	860790	1	Reducing valve		
			Bulletin 44-32	44-32-EN	Reduction Valve D31, 41, 42
			Bulletin 44-32A	44-32A-EN	Reduction Valve D31, 41, 42
4	471115	1	• Reducing valve		
5	1542257	1	• Spring		
6	948343	1	• Washer		
7	914506	1	• Lock ring		
8	860821	1	Tube		
9	1545272	1	Flange		
10	1545271	1	Sealing ring		
11	469482	1	O-ring		
12	965184	2	Screw		
13	1542248	1	Flange		
14	1542385	3	Sealing ring		
15	946173	2	Flange screw		
16	829491	1	Tube		EARLY TYPE
16A	861064	1	Suction pipe		LATE TYPE
17	943473	1	• Hose clamp		FOR 829491
	943472	1	• Hose clamp		FOR 861064
18	403483	1	Wire gauze		
19	118123	1	Lock ring		
20	949657	1	O-ring		
20A	469483	2	Sealing ring		
21	965217	2	Flange screw		
22	829492	1	Baffle plate		FOR 829491
	860999	1	Baffle plate		FOR 861064
23	942385	2	Disc spring		
24	944926	2	Flange screw		
25	838791	1	Tube		REPLACED BY PIPE 861099, OIL DIPSTICK 861087 AND CLAMP 941565
25A	861100	1	Tube		LATE TYPE
25B	861087	1	Oil dipstick		LATE TYPE
25C	960155	1	• O-ring		LATE TYPE
25D	946834	1	Clamp		LATE TYPE
25E		1	STUD BOLT		SEE GROUP 2B
25F		1	NUT		SEE GROUP 2B
25G	861083	1	Suction pipe		LATE TYPE. COMBINED OIL BILGE PIPE AND OIL DIPSTICK PIPE.
25H	943469	1	Clamp		FOR 861083
26	965175	1	Screw		
27	945407	1	Flange nut		
27A	858832	1	Bracket		FOR 838791. FOR ENGINES IN KEEL COOLED VERSION.
28	843692	1	Tube		
29	843533	1	Rubber hose		
30	838801	1	Oil dipstick		
31	949187	1	• O-ring		
32	861151	1	Oil pan		(844909)
33	948187	1	• Plug		EARLY TYPE
34	18818	1	• Gasket		EARLY TYPE
35	861251	1	Gasket		(860685)
36	946440	32	Flange screw		
37	838792	1	Oil scavenging pipe		EARLY TYPE. REPLACED BY PIPE 861099, CLAMP 946384 AND PLUG 943585.
37A	861100	1	Tube		
37B	943585	1	Protecting plug		
37C	946834	1	Clamp		
37D		1	SCREW		SEE GROUP 2B
37E		1	NUT		SEE GROUP 2B
38	829579	1	Tube		EARLY TYPE

TMD41B,TAMD41B,D41B,AD41B

REF	PART NO.	QTY	DESCRIPTION	SEE SEC.	NOTES
39	843533	1	Rubber hose		EARLY TYPE
40	943835	1	Plug		EARLY TYPE
41		1	OIL FILTER AND INSTALLATION COMPONENTS	02A-2610	

