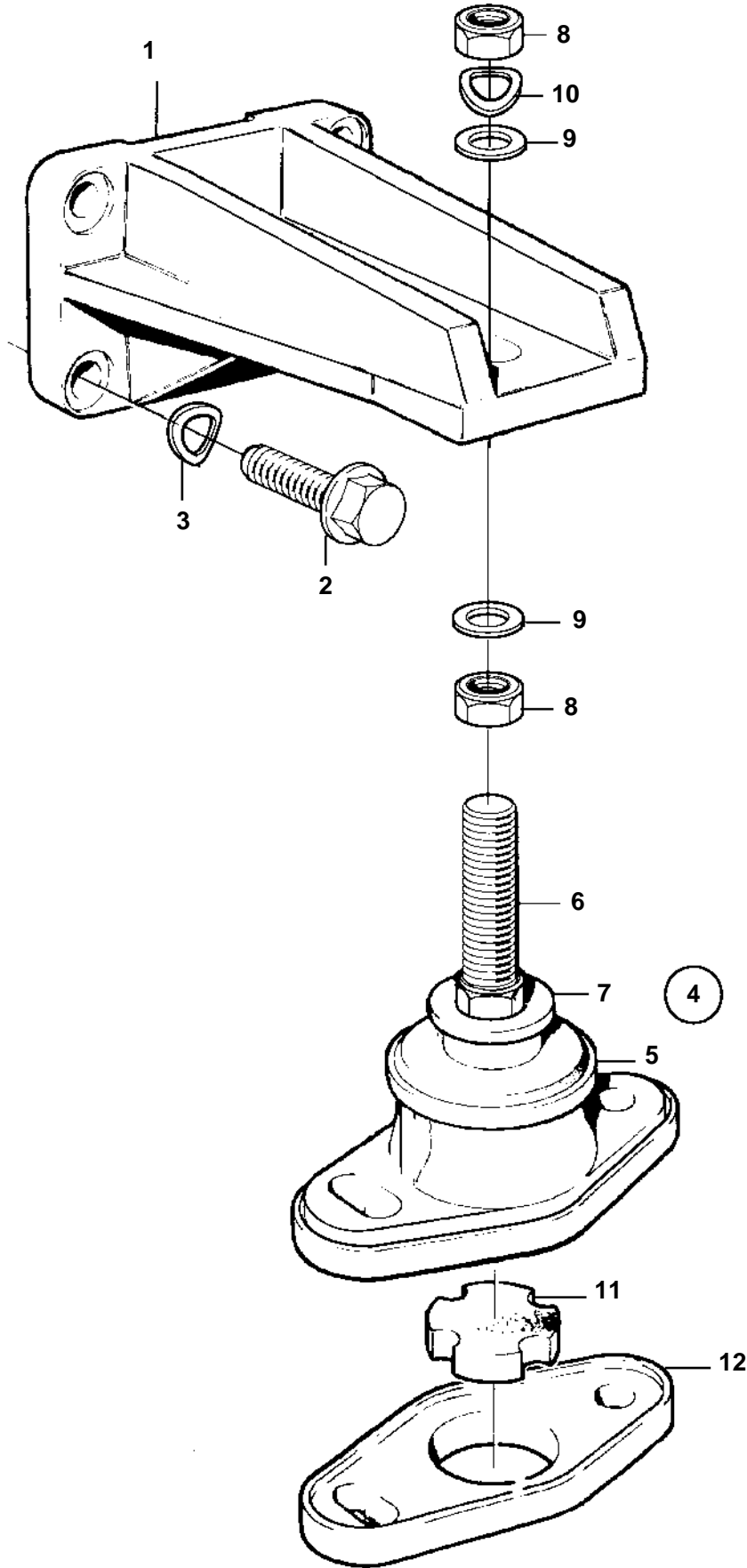


D41B,AD41B



Upd: 06 FEB 2006

11124

11124
7745920 - 02A - 02A-2910

D41B,AD41B

REF	PART NO.	QTY	DESCRIPTION	SEE SEC.	NOTES
1	860027	2	Engine bracket		WITH HOLE FOR M16 ADJUSTING BOLT
	860953	2	Engine bracket		WITH HOLE FOR M18 ADJUSTING BOLT
2	965192	8	Flange screw		L = 40 MM
3	940280	8	Spring washer		
4	859556	1	Rubber element		WITH M16 ADJUSTING BOLT
			Bulletin 44-26	44-26-EN	Reinforced Rubber Cushion
4	876596	2	Rubber element		
5	829567	2	· Adjuster screw		M16. INCLUDED IN RUBBER ELEMENT 859556
	860950	2	· Adjuster screw		M18. INCLUDED IN RUBBER ELEMENT 876596
6	843298	2	· Washer		INCLUDED IN RUBBER ELEMENT 859556. INCLUDED IN RUBBER ELEMENT 876596
7	843323	2	· Rubber element		INCLUDED IN RUBBER ELEMENT 859556. INCLUDED IN RUBBER ELEMENT 876596
8	955805	4	· Nut		M16. INCLUDED IN RUBBER ELEMENT 859556
	955806	4	Nut		M18
9	191940	4	· Washer		INCLUDED IN RUBBER ELEMENT 859556. FOR M16 ADJUSTING BOLT
	955901	2	Washer		D = 34 MM. FOR M18 ADJUSTING BOLT
	978991	2	Washer		D = 40 MM. FOR M18 ADJUSTING BOLT
10	941912	2	· Spring washer		INCLUDED IN RUBBER ELEMENT 859556. FOR M16 ADJUSTING BOLT
	941913	2	Spring washer		FOR M18 ADJUSTING BOLT
11	843299	2	· Rubber disc		INCLUDED IN RUBBER ELEMENT 859556
	843299	2	Rubber disc		
	843286	2	· Base		INCLUDED IN RUBBER ELEMENT 859556
	843286	2	Base		