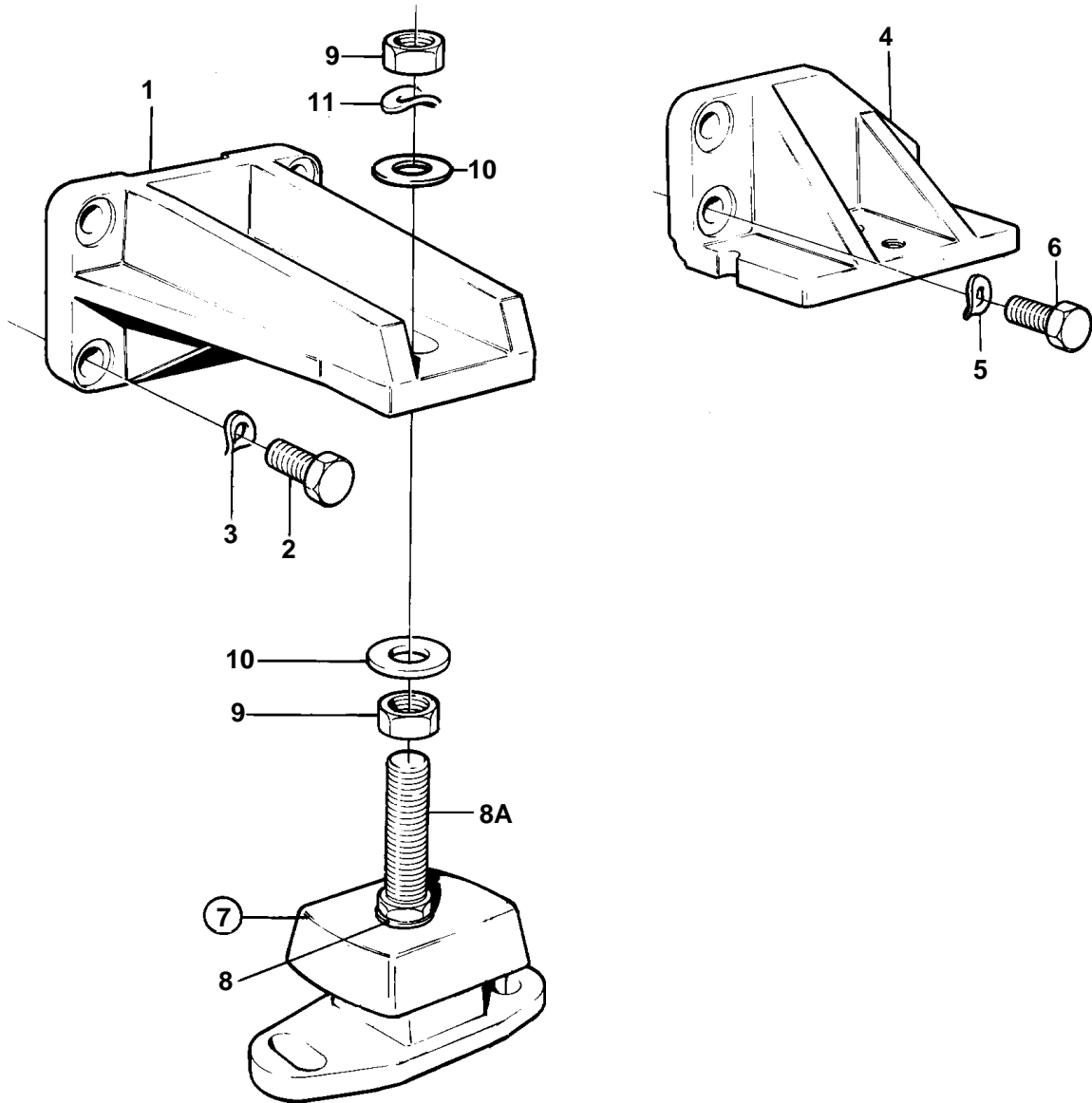


TAMD41B



11388

TAMD41B

REF	PART NO.	QTY	DESCRIPTION	NOTES
1	860953	2	Engine bracket	WITH HOLE FOR M18 ADJUSTING BOLT
2	965192	8	Flange screw	L = 40 MM
3	940280	8	Spring washer	
4	860952	1	Engine bracket	P. REAR. WITH HOLE FOR M18 ADJUSTING BOLT
	860954	1	Engine bracket	S.B. REAR. WITH HOLE FOR M18 ADJUSTING BOLT
5	940280	4	Spring washer	
	955897	2	Washer	
6	966343	3	Screw	L = 35 MM S.B
	966343	1	Screw	L = 35 MM P
	965226	2	Flange screw	L = 45 MM P
7	861302	4	Rubber cushion	
8	955900	4	· Washer	
8A	860950	4	· Adjuster screw	M18
9	955806	8	Nut	
10	955901	4	Washer	D = 34 MM
	978991	4	Washer	D = 40 MM
11	941913	4	Spring washer	