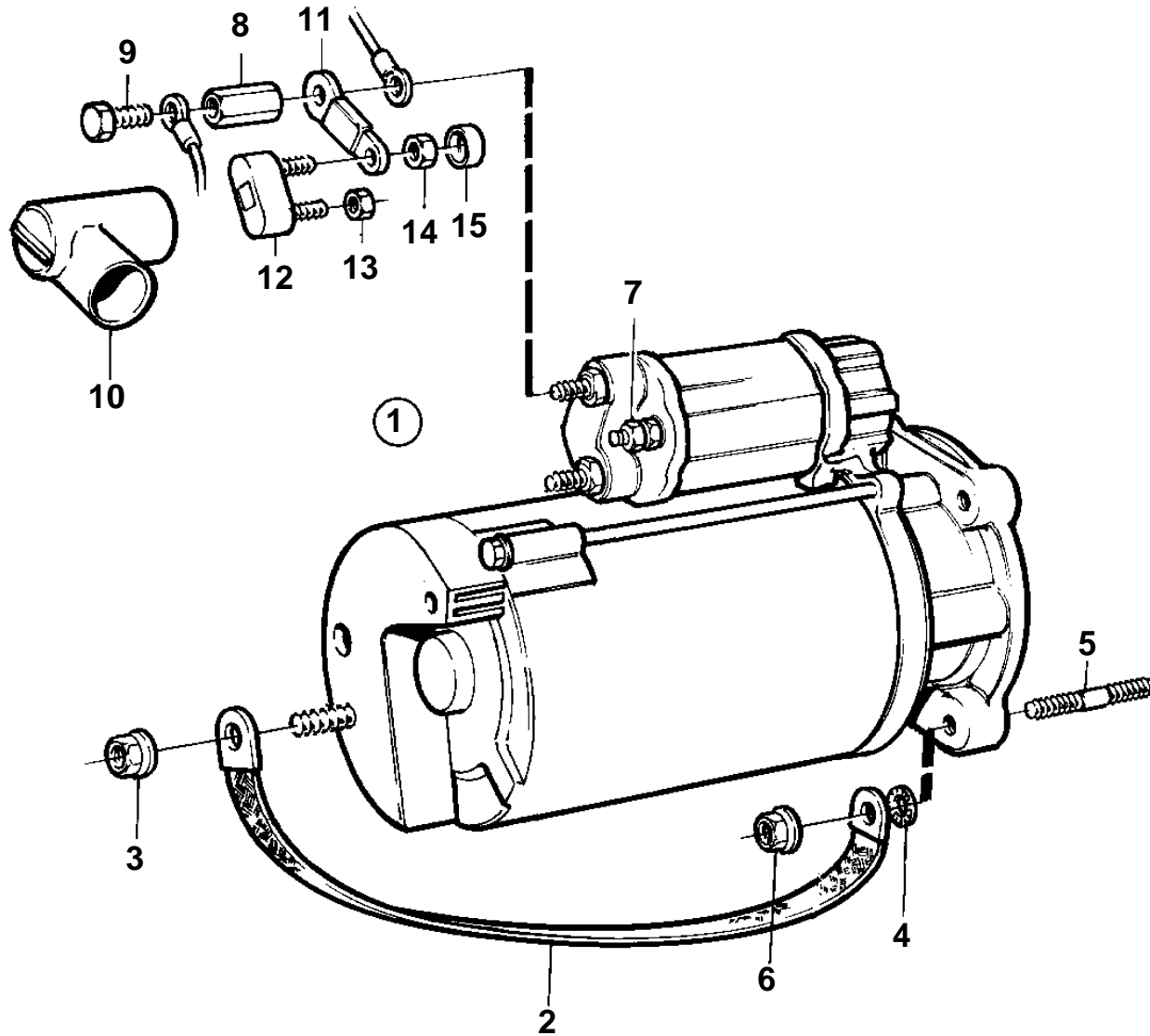


D41B,TAMD41B,AD41B



10788

D41B,TAMD41B,AD41B

REF	PART NO.	QTY	DESCRIPTION	SEE SEC.	NOTES
1	859252	1	Starter motor		12V
				030-1710	
2	968048	1	Cable		
3	945408	1	Flange nut		
4	945987	1	Lock washer		
5	953067	2	Stud		L = 45 MM
	953069	1	Stud		L = 50 MM
6	971095	3	Nut		
7	965483	1	Nut		
8	855314	1	Nut		
9	947107	1	Flange screw		
10	855798	1	Protecting sleeve		
11	860212	1	Current bar		
12	856355	1	Fuse		
13	945407	1	Flange nut		
14	853573	1	Nut		
15	853572	1	Protective cap		