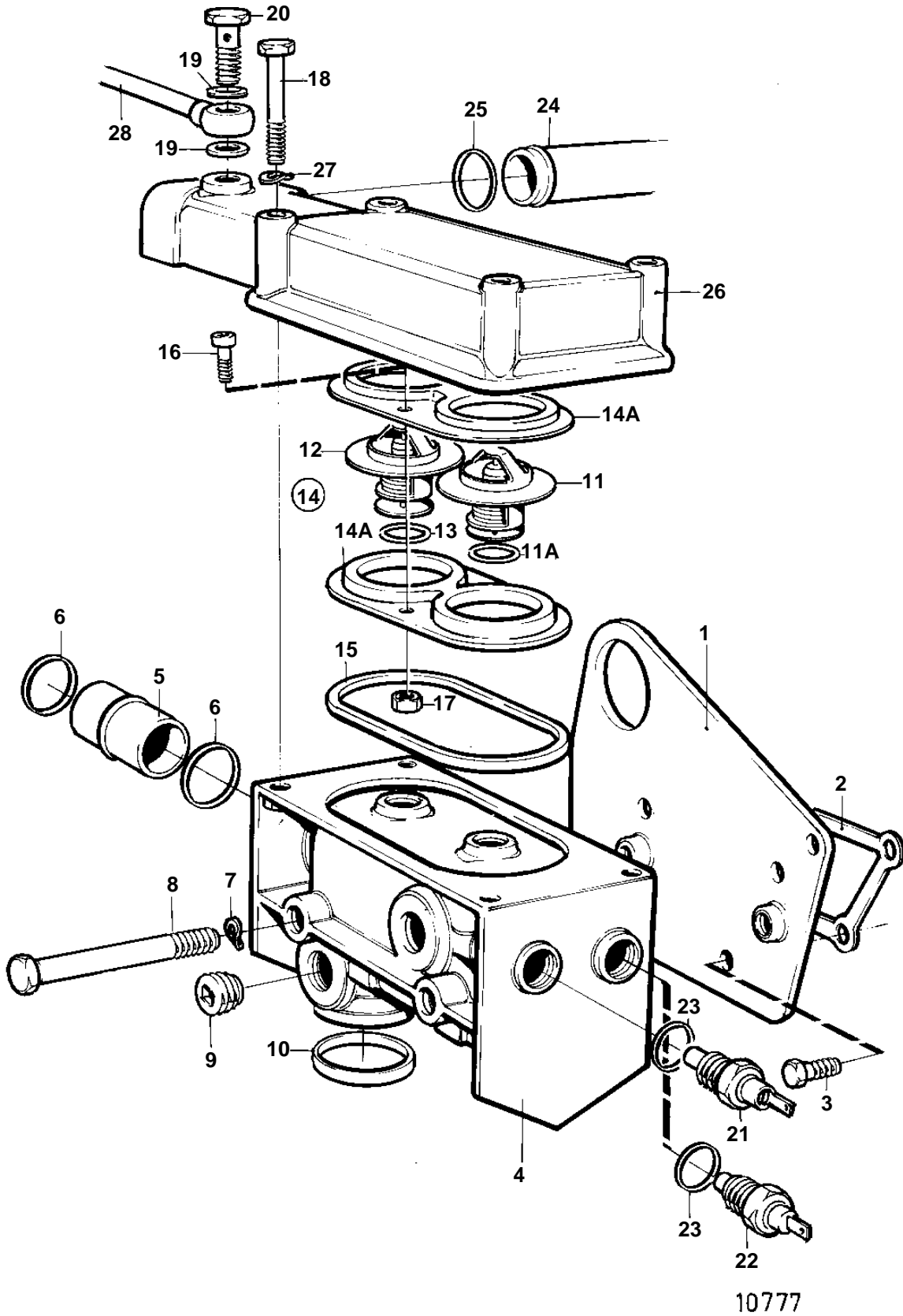


TMD41B,TAMD41B,D41B,AD41B



**THERMOSTAT HOUSING WITH INSTALL. COMPS FOR SEA WATER
COOLED VERSION**

02B

TMD41B,TAMD41B,D41B,AD41B

REF	PART NO.	QTY	DESCRIPTION	NOTES
1	838703	1	Adapter	
2	1542187	1	Gasket	
3	955295	4	Screw	
4	838704	1	Thermostat housing	
5	838739	1	Tube	
6	968927	2	O-ring	
7	941907	2	Spring washer	EARLY TYPE
8	965183	2	Flange screw	
9	952077	2	Plug	
10	1542198	1	Sealing ring	
11	876128	1	Thermostat kit	81%Z9C
11A	416033	1	· Sealing ring	
12	875849	1	Thermostat kit	81%Z9C. WITH AIR VENTING VALVE
13	416033	1	· Sealing ring	
14	876145	1	Retainer kit	
14A	859229	2	· Retainer	
15	838807	1	· Sealing ring	
16	963554	2	· Screw	
17	966170	2	· Nut	
18	965217	4	Flange screw	
19	11994	2	Gasket	
20	969299	1	Hollow screw	
21		1	TEMPERATURE SENSOR	SEE GROUP 3
22		1	CONTACT	SEE GROUP 3
23		2	GASKET	SEE GROUP 3
24	838798	1	Coolant pipe	HEAT EXCHANGER-THERMOSTAT HOUSING.
25	968927	1	O-ring	
26	838789	1	Housing	
27	941907	4	Spring washer	EARLY TYPE
28	860230	1	Air vent hose	TURBO-HEAT EXCHANGER-THERMOSTAT HOUSING