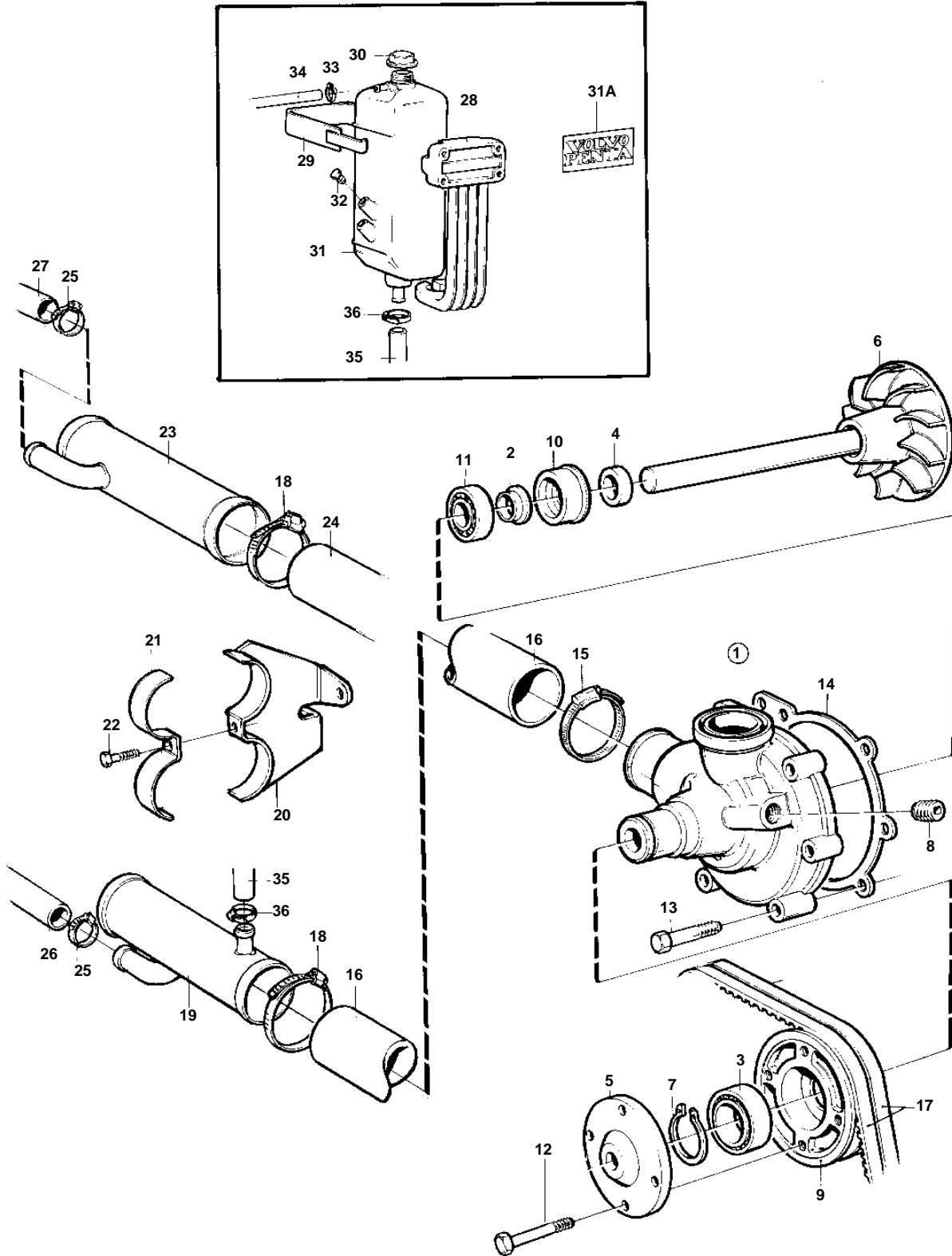


TAMD41B



11110

**CIRCULATION PUMP AND EXPANSION TANK FOR KEEL COOLED VERSION**

**02B**

TAMD41B

| REF | PART NO. | QTY | DESCRIPTION    | NOTES  |
|-----|----------|-----|----------------|--|
| 1   | 860452   | 1   | Water pump     | FOR ENGINES IN KEEL COOLED VERSION.            |
| 2   | 70913    | 1   | · Deflector    | IK   |
| 3   | 181538   | 1   | · Ball bearing | IK   |
| 4   | 421306   | 1   | · Wear ring    | IK   |
| 5   | 860455   | 1   | · Hub          |  |
| 6   |          | 1   | · SHAFT        | IK   |
| 7   | 914462   | 1   | · Lock ring    | IK   |
| 8   | 952077   | 1   | · Plug         |  |
| 9   | 1542235  | 1   | · Pulley       |  |
| 10  | 1545283  | 1   | · Sealing ring | IK   |
| 11  | 1660609  | 1   | · Ball bearing | IK   |
|     | 876544   | 1   | Repair kit     | SEE GROUP 10A                                  |
| 12  | 946173   | 4   | Flange screw   |  |
| 13  | 947760   | 6   | Flange screw   |  |
| 14  | 859027   | 1   | Gasket         | IK   |
| 15  | 943477   | 1   | Hose clamp     |  |
| 16  | 860968   | 1   | Hose           | INLET-WATER PUMP                               |
| 17  |          | X   | DRIVE BELT     | SEE GROUP 3                                    |
| 18  | 943479   | 2   | Hose clamp     |  |
| 19  | 860965   | 1   | Coolant pipe   |  |
| 20  | 860969   | 1   | Bracket        |  |
| 21  | 860967   | 1   | Clamp          |  |
| 22  | 946440   | 1   | Flange screw   |  |
| 23  | 860966   | 1   | Coolant pipe   |  |
| 24  | 860968   | 1   | Hose           | THERMOSTAT HOUSING-OUTLET                      |
| 25  | 943476   | 2   | Hose clamp     |  |
| 26  | 944386   | X   | Hose           | CIRCULATION PUMP-REVERSE GEAR                  |
| 27  | 860645   | 1   | Hose           | AFTER COOLER-OUTLET                            |
| 28  | 843260   | 1   | Bracket        |  |
| 29  | 843266   | 1   | Clamp          |  |
| 30  | 844624   | 1   | Pressure cap   |  |
| 31  | 843759   | 1   | Expansion tank |  |
| 31A | 876234   | 1   | Decal set      |  |
| 32  | 947660   | 2   | Plug           |  |
| 33  | 943470   | 1   | Hose clamp     |  |
| 34  | 943366   | X   | Hose           | L = 2000 MM. EXPANSION TANK-THERMOSTAT HOUSING |
| 35  | 952969   | X   | Rubber hose    | L = 1940 MM                                    |
| 36  | 943472   | 2   | Hose clamp     |  |