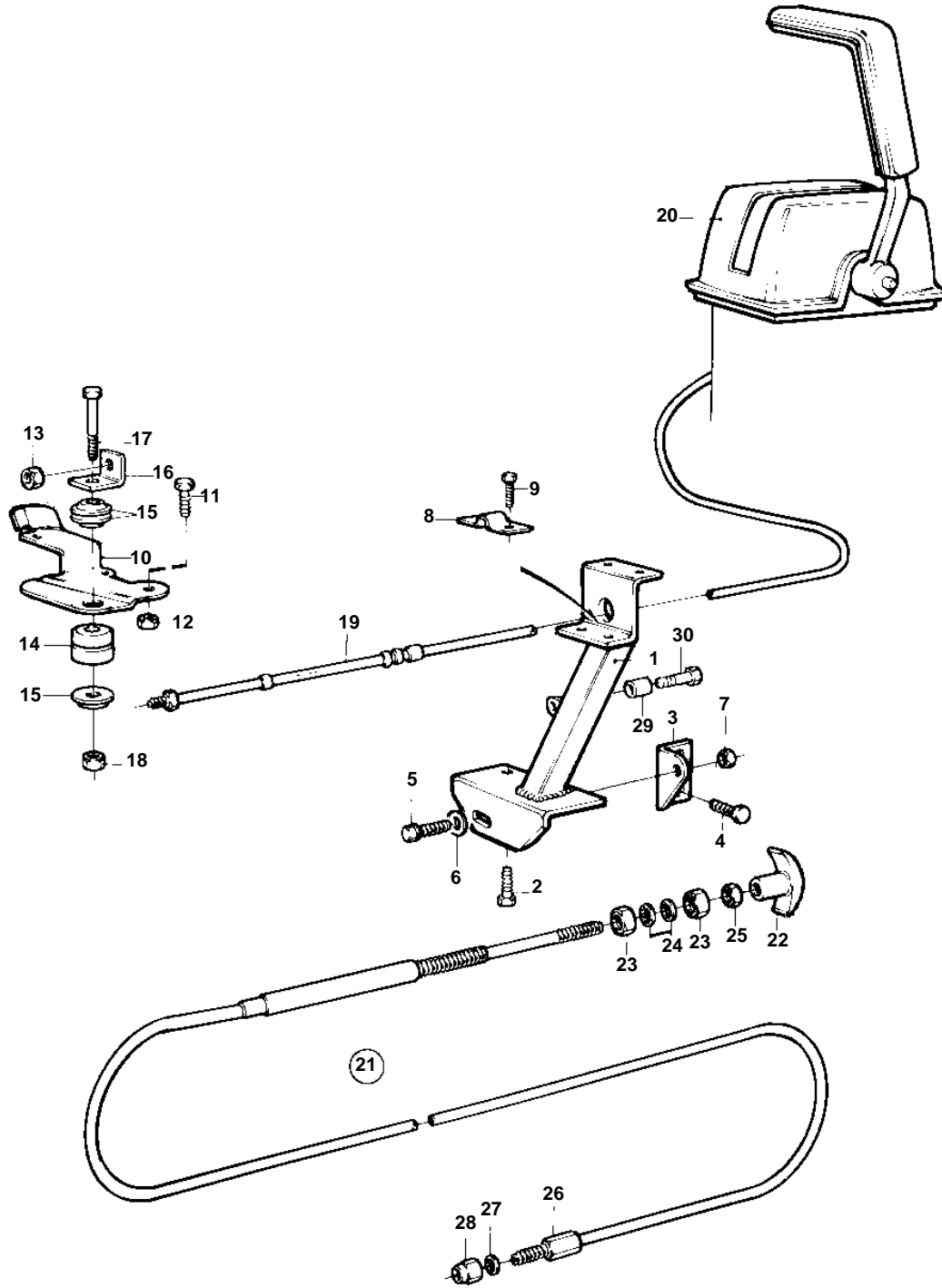


TMD41B,TAMD41B,D41B,AD41B



11133

TMD41B,TAMD41B,D41B,AD41B

REF	PART NO.	QTY	DESCRIPTION	NOTES
1	838783	1	Bracket	
2	946471	1	Screw	L = 16 MM
	946441	1	Screw	L = 20 MM
3	838753	1	Bracket	
4	946440	2	Flange screw	
5	945444	1	Flange screw	
6	191172	1	Washer	
7	948645	1	Lock nut	
8	819067	1	Brace	
9	956078	2	Screw	
10	858261	1	Lever	
11	946544	1	Flange screw	
12	949278	1	Lock nut	
13	951674	1	Lock nut	
14	843109	1	Bushing	
15	843105	3	Spacer washer	
16	843107	1	Anchorage	
17	955274	1	Screw	
18	949278	1	Lock nut	
19		1	CONTROL CABLE	SEE GROUP 9
20		1	CONTROL	SEE GROUP 9
21	818478	1	Control	L = 3300 MM
	818470	1	Control cable	L = 6900 MM
22	829241	1	· Handle	
23	955857	2	· Nut	
24	955950	2	· Lock washer	
25	955844	1	· Nut	
26	829070	1	Cable lock	
27	955894	2	Washer	
28	950363	1	Nut	
29	858954	1	Spacer sleeve	
30	947542	1	Screw	