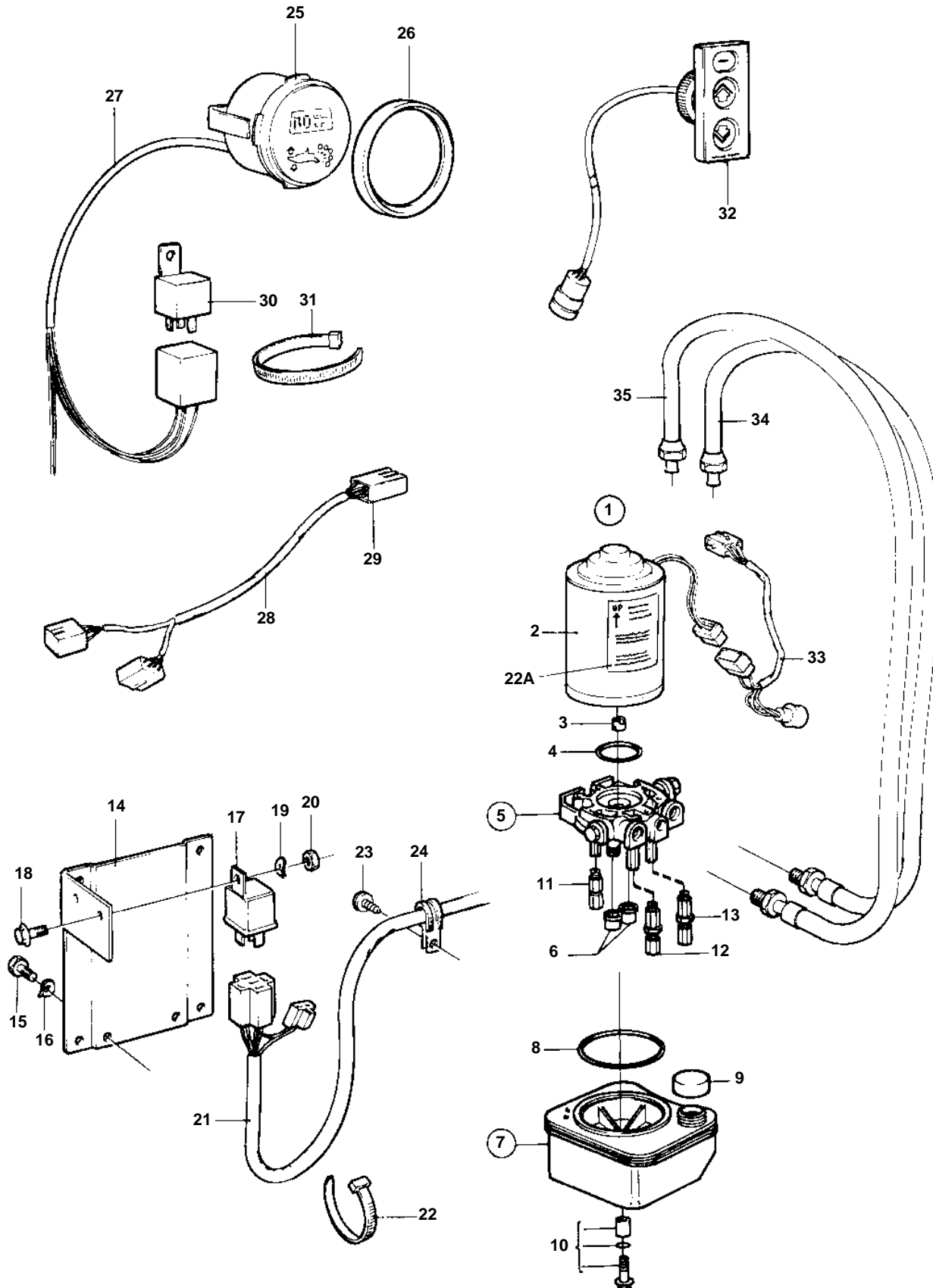


DRIVE SP-C,DP-D



HYDRAULIC PUMP, TRIM INSTRUMENT AND INSTALLATION COMPONENTS

04A

DRIVE SP-C,DP-D

REF	PART NO.	QTY	DESCRIPTION	SEE SEC.	NOTES
1	872449	1	Hydraulic pump kit		
2	854525	1	· Engine		
3	854526	1	· · Clutch		
4	854527	1	· · O-ring		
5	854528	1	· Valve housing		
6	854530	2	· · Filter		
7	854531	1	· Reservoir		
8	854532	1	· · O-ring		
9	854533	1	· · Cover		
10	854534	1	· · Small parts kit		
11	854535	1	· Relief unit		
12	854536	1	· High pressure unit		
13	854537	1	· Low pressure unit		
14	854438	1	· Bracket		
15	970945	2	· Screw		
16	941908	2	· Spring washer		
17	854357	2	· Relay		
18	948663	2	· Screw		
19	941905	2	· Spring washer		
20	955780	2	· Nut		
21		X	· CABLES AND TERMINALS		SEE GROUP 3
22	948210	1	· Strip clamp		
22A	853097	1	· Sign		
23	952630	4	· Clamp		
24	955138	4	· Screw		
25	872498	1	Trimmer		
26	858643	1	Front ring		
27	856821	1	Cable kit		
28	853066	1	Cable trunk		FOR DUAL STATION.
29		X	· CABLES AND TERMINALS		SEE GROUP 3
30	872300	2	Relay		12V 30A
31	949666	X	Strip clamp		
32	853846	1	Control panel		
33	853032	1	Cable trunk		
	948294	X	· Receptacle housing		9-POL
	965822	X	· Cable terminal		3,5X1X2,5
	853498	X	· Receptacle housing		3-POL
	853521	X	· Cable terminal		FOR853498
34	854700	1	Hydraulic hose	04A-1435	
35	854701	1	Hydraulic hose	04A-1435	