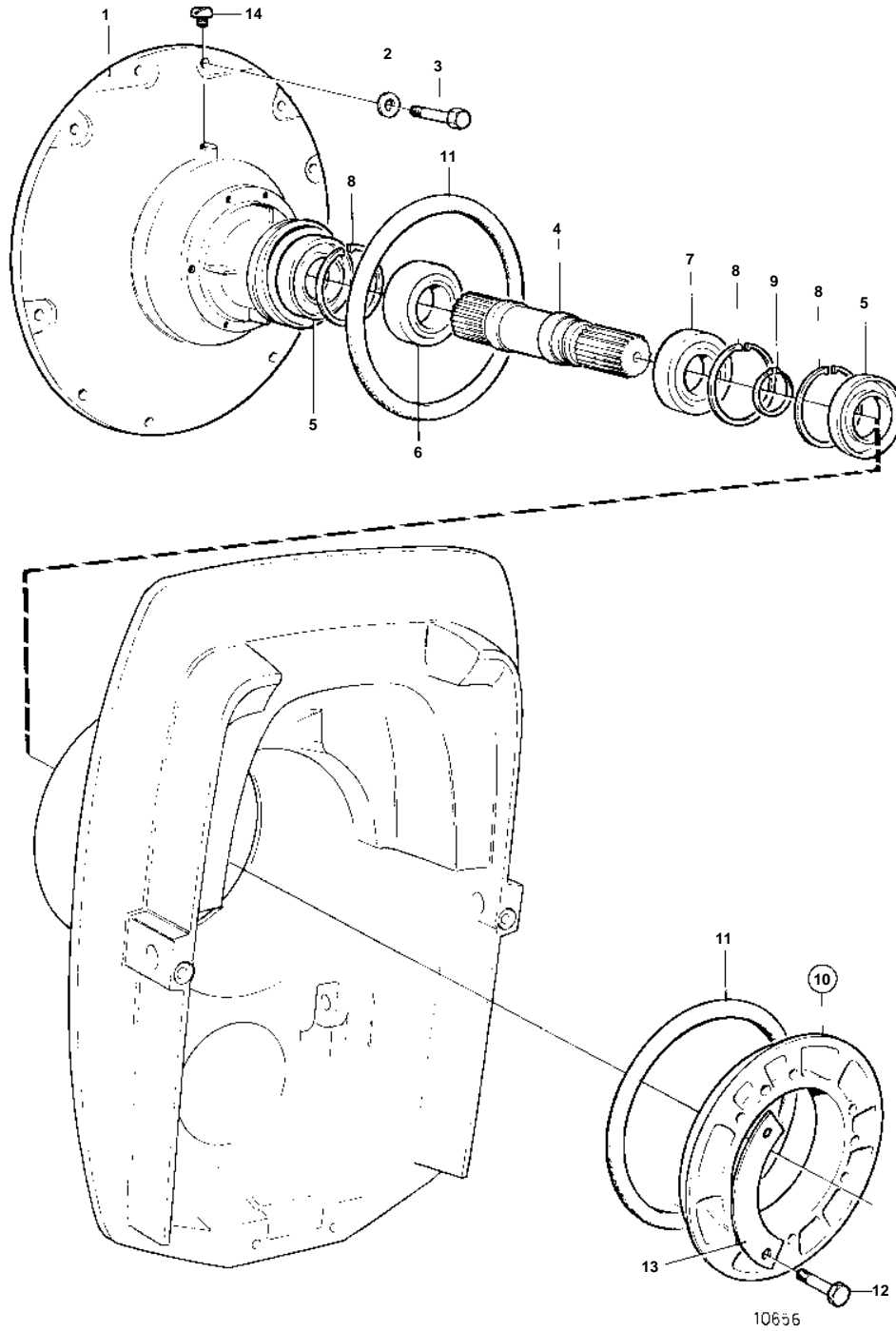


DRIVE SP-C,DP-D



DRIVE SP-C,DP-D

| REF | PART NO. | QTY | DESCRIPTION | NOTES |
|-----|----------|-----|-------------------|------------|
| 1 | 844519 | 1 | Flywheel housing | |
| 2 | 941908 | 10 | Spring washer | EARLY TYPE |
| 3 | 946752 | 10 | Flange screw | |
| | 963075 | 1 | Set screw | |
| 4 | 853809 | 1 | Shaft | |
| 5 | 958860 | 2 | Sealing ring | |
| 6 | 11013 | 1 | Ball bearing | |
| 7 | 181105 | 1 | Ball bearing | |
| 8 | 914533 | 3 | Snap ring | |
| 9 | 914462 | 1 | Lock ring | |
| 10 | 854317 | 1 | Clamping ring kit | |
| 11 | 813967 | 2 | · Rubber ring | |
| 12 | 191844 | 6 | · Screw | |
| 13 | 806624 | 3 | · Striker plate | |
| 14 | 804262 | 1 | Plug | |