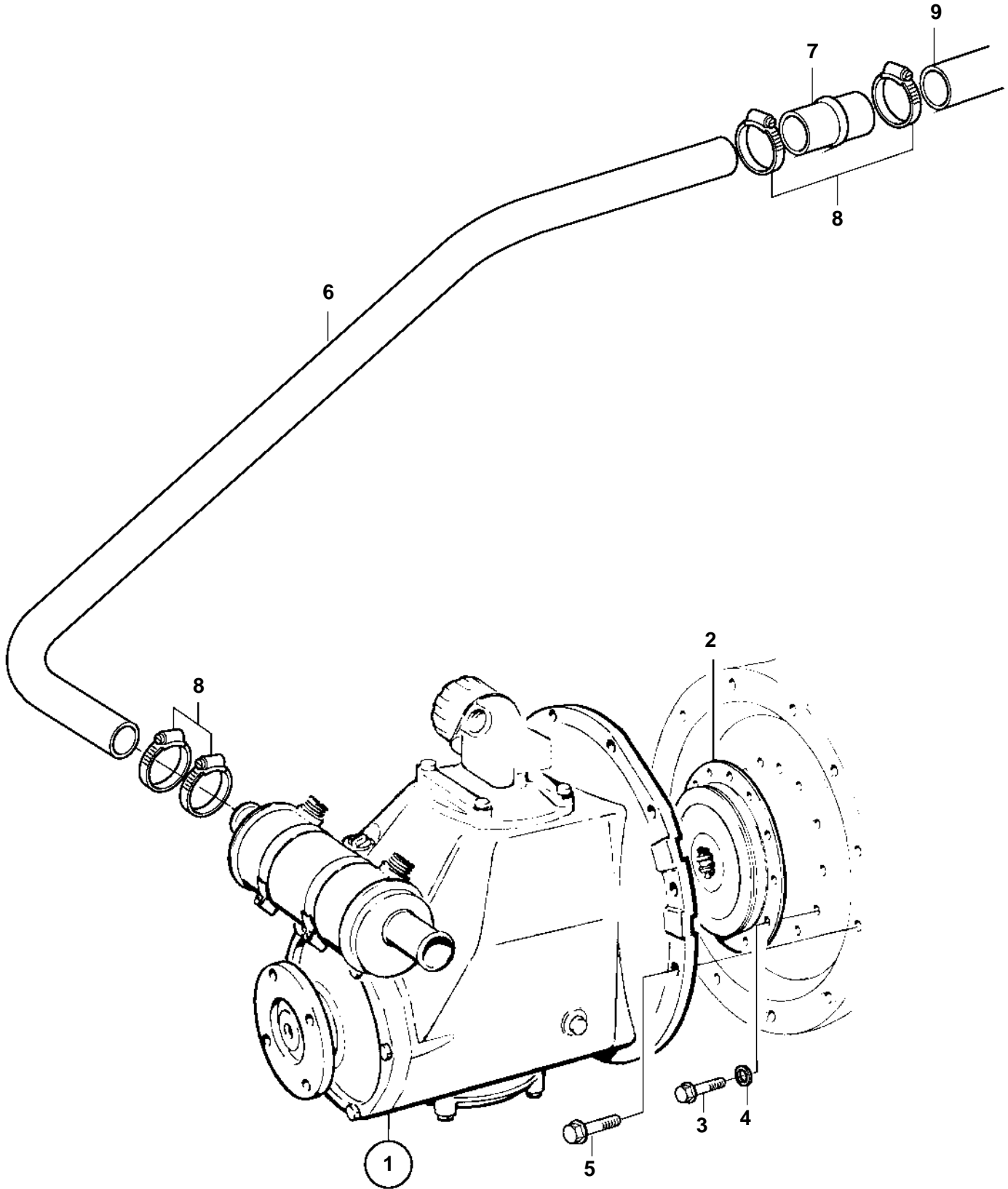


TMD41B,TAMD41B



TMD41B,TAMD41B

REF	PART NO.	QTY	DESCRIPTION	NOTES
1	873171	1	Reversing gear COMPONENTS	SEE GROUP 4B
	873172	1	Reversing gear COMPONENTS	RATIO 2,62:1 SEE GROUP 4B
2	854753	1	Vibration damper	
3	946173	6	Flange screw	
4	946752	9	Flange screw	
5	861089	1	Hose	
6	861090	1	Tube	
7	961669	4	Hose clamp	
8	860640	1	Hose	