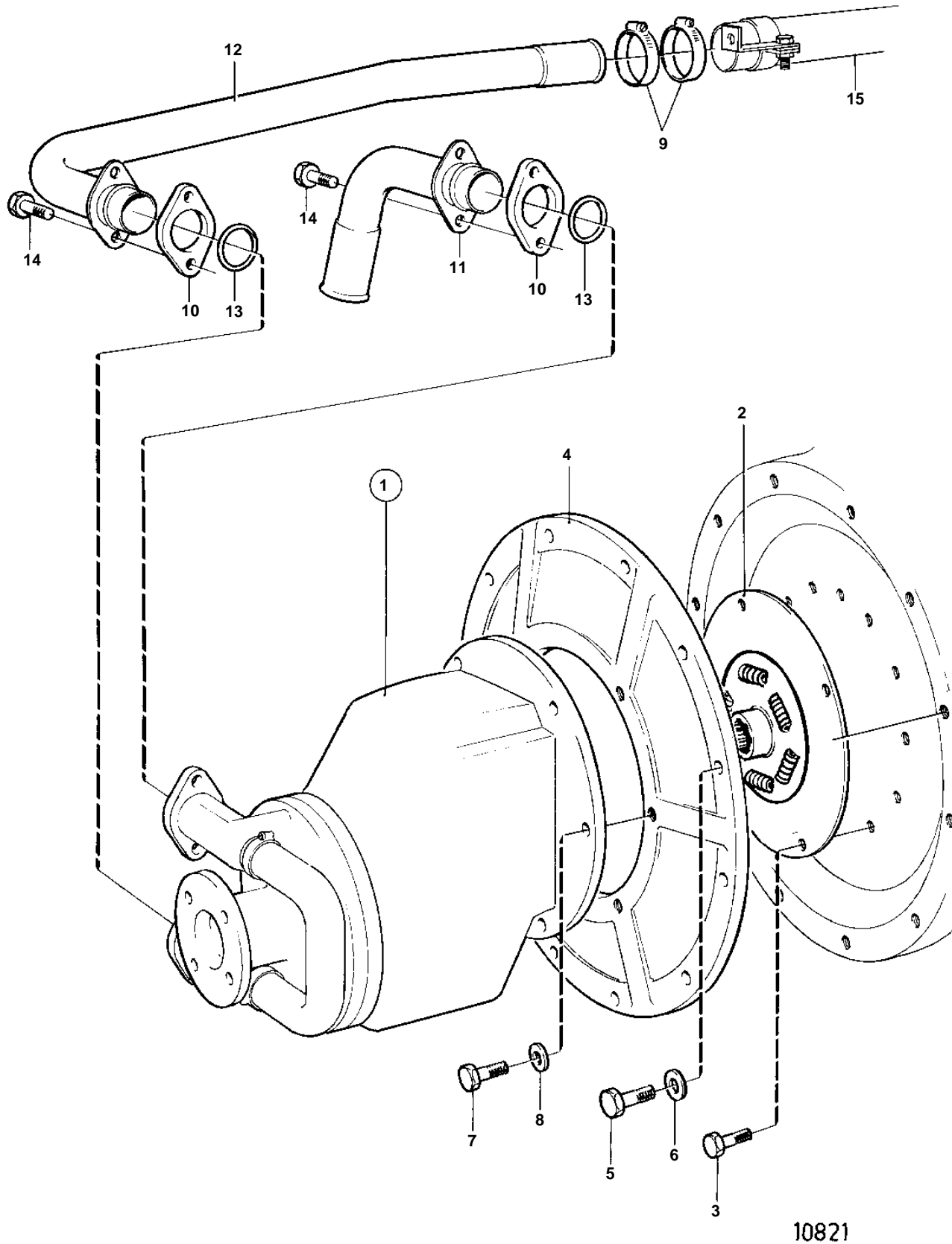


TMD41B,TAMD41B



10821

TMD41B,TAMD41B

REF	PART NO.	QTY	DESCRIPTION	NOTES
1	872210	1	Reversing gear COMPONENTS	SEE GROUP 4B
	872208	1	Reversing gear COMPONENTS	RATIO 1,93:1 SEE GROUP 4B
	872209	1	Reversing gear COMPONENTS	RATIO 2,63:1 SEE GROUP 4B
2	855617	1	Vibration damper	
3	946173	6	Flange screw	
4	829489	1	Cover	
5	946752	11	Flange screw	EARLY TYPE
6	941908	11	Spring washer	
7	946752	6	Flange screw	
8	941908	6	Spring washer	EARLY TYPE
9	961669	2	Hose clamp	
10	854184	2	Flange	
11	854758	1	Coolant pipe	FOR ENGINES IN SEA WATER COOLED VERSION.
	860964	1	Coolant pipe	FOR ENGINES IN KEEL COOLED VERSION.
12	854759	1	Coolant pipe	
13	925062	2	O-ring	
14	942001	4	Screw	
15		1	HOSE	SEE GROUP 2B. REVERSE GEAR-SEA WATER PUMP