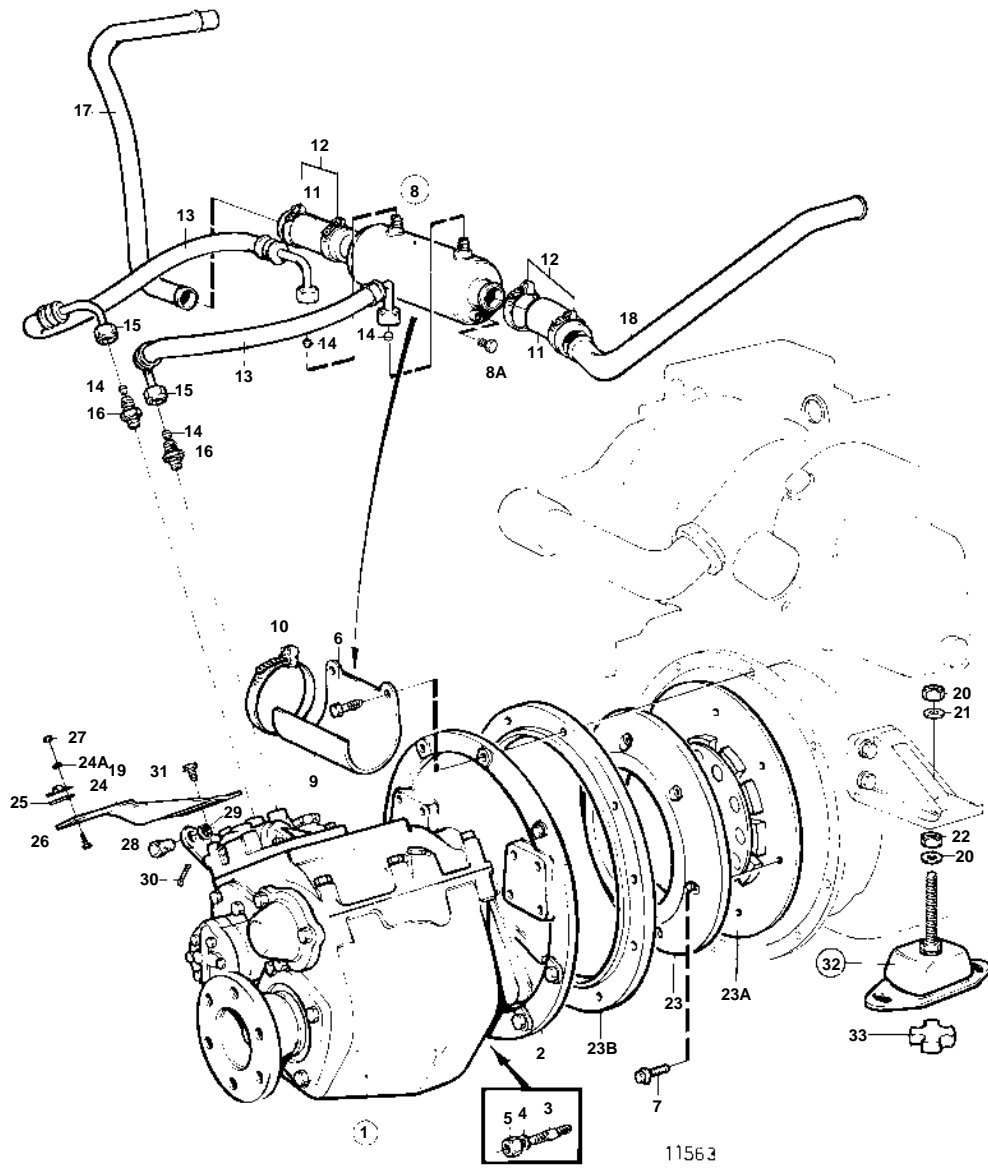


TAMD41B



TAMD41B

REF	PART NO.	QTY	DESCRIPTION	NOTES
1		1	PRM402	RATIO 2:1,3:1,4:1
2		1	COVER	PRM
3	924083	5	Stud	
4	960148	5	Washer	
5	971071	5	Nut	
6	965186	8	Screw	
7	941761	6	Screw	
8	855756	1	Oil cooler	
8A	180759	1	· Plug	
9	858618	1	Bracket	
10	961674	2	Clamp	
11	949315	2	Hose	L = 60 MM
12	961669	4	Hose clamp	
13	841171	2	Hose	
14	956970	4	Ferrule	
15	956984	4	Nut	
16	941750	2	Nipple	
17	859193	1	Coolant pipe	
18	858616	1	Coolant pipe	
19	858366	1	Bracket	
20		4	NUT	SEE GROUP 2A
21		2	RESILIENT WASHER	SEE GROUP 2A
22		2	WASHER	SEE GROUP 2A
23	859957	1	Ring	
23A	854506	1	Vibration damper	
23B	854492	1	Spacer ring	
24	819067	1	Brace	
24A	940090	2	Washer	
25	819068	1	Washer	
26	955246	2	Screw	
27	946577	2	Lock nut	
28	833133	1	Cube	
29	955892	2	Washer	
30	17276	1	Cotter pin	
31		2	SCREW	
32		2	RUBBER BLOCK	SEE GROUP 2A
33		2	RUBBER DISC	SEE GROUP 2A