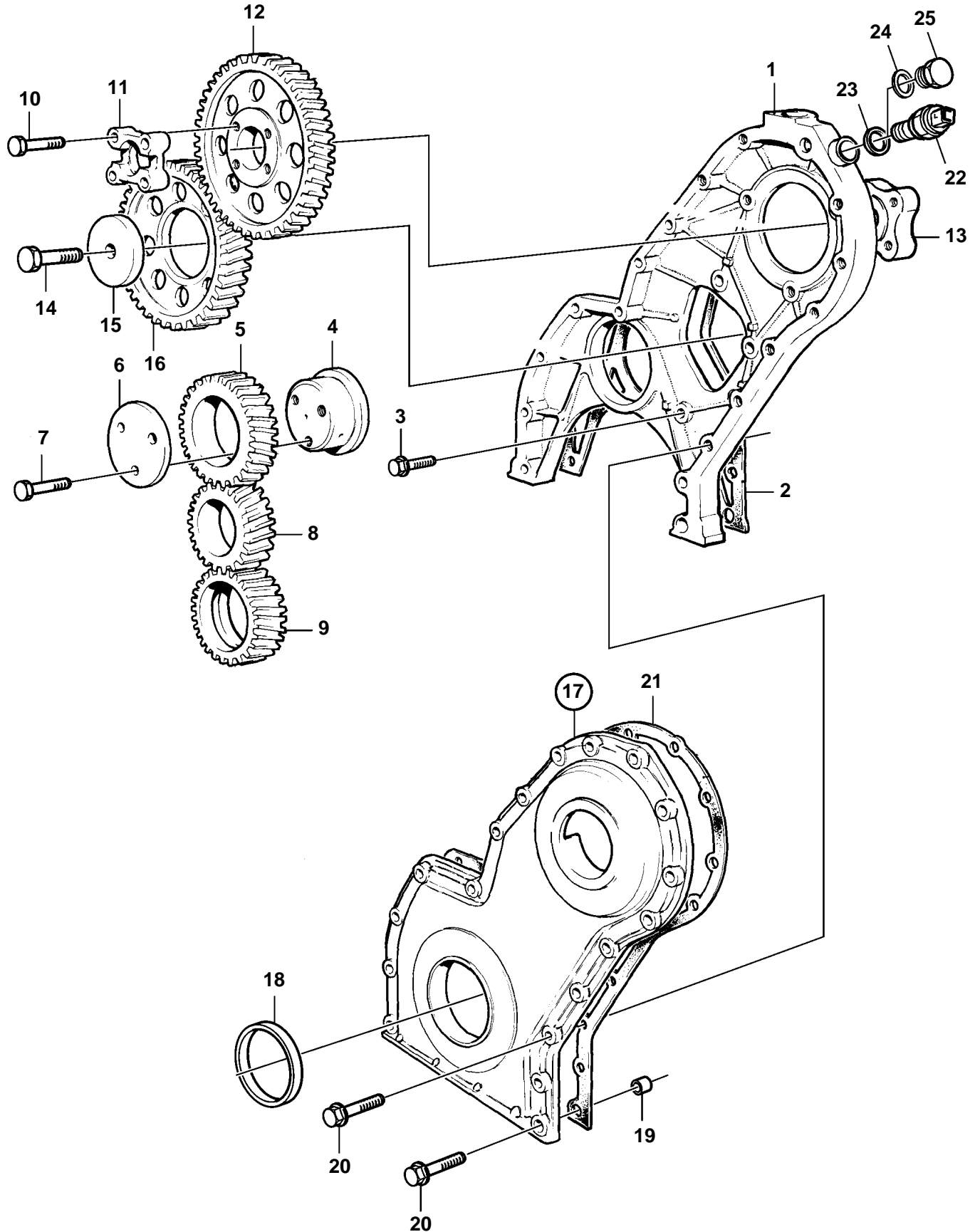


TMD41L-A, TAMD41P-A, TAMD41L-A, TAMD41M-A, TAMD41H-A, TAMD41H-B, D41L-A, AD41P-A, AD41L-A



TMD41L-A, TAMD41P-A, TAMD41L-A, TAMD41M-A, TAMD41H-A, TAMD41H-B, D41L-A, AD41P-A, AD41L-A

REF	PART NO.	QTY	DESCRIPTION	NOTES
1	3581447	1	Timing gear casing	(838655)
2	859039	1	Gasket	
3	946173	3	Flange screw	L=20mm
	946671	1	Flange screw	L=30mm
4	838997	1	Pin	
5	1542061	1	Gear	
6	1542065	1	Thrust washer	
7	965180	3	Flange screw	
8	1542305	1	Gear	
9	1542215	1	Gear	
10	955298	4	Screw	
11	829523	1	Companion flange	
12	3581531	1	Gear	(838657)
13	859601	1	Hub	
14	965193	1	Screw	
15	1542223	1	Washer	
16	1542034	1	Gear	
17	843086	1	Cover	
18	1542318	1	· Sealing ring	
19	415311	1	· Sleeve	
20	946470	6	Flange screw	L=35mm
	947760	2	Flange screw	L=40mm
	948217	2	Flange screw	L=45mm EARLIER PROD
	965181	6	Screw	L=70mm
	965182	2	Flange screw	L=80mm
	965183	1	Flange screw	L=90mm
21	859038	1	Gasket	
22	862251	1	Tachometer sensor	For revolution relay.
23	957181	1	Gasket	
24	976931	1	Gasket	ALT
25	960632	1	Plug	ALT