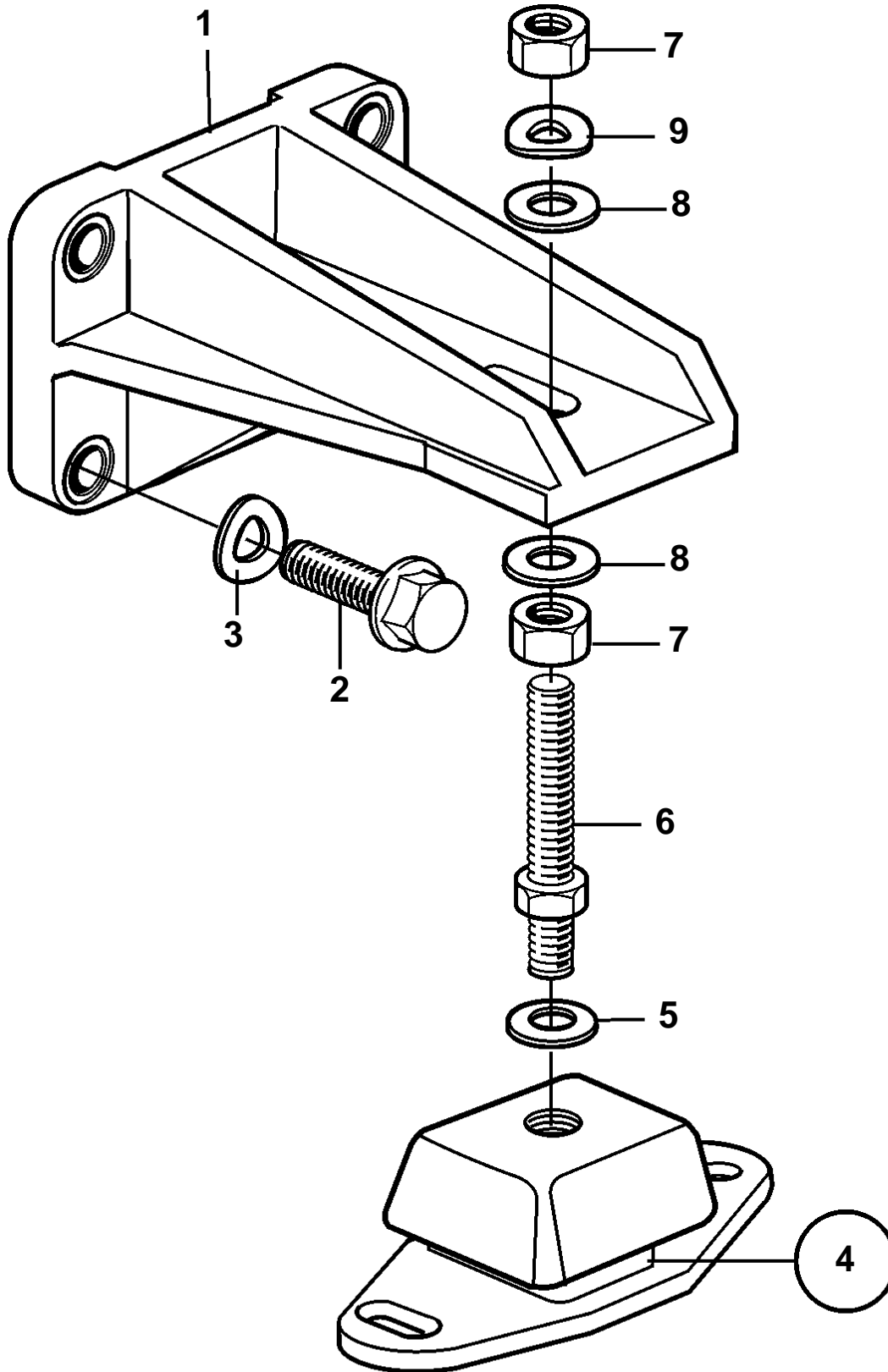


AD31P-A, AD31L-A



AD31P-A, AD31L-A

REF	PART NO.	QTY	DESCRIPTION	NOTES
1	3580748	2	Engine bracket	
2	965192	6	Flange screw	L=40mm
	965193	2	Screw	L=50mm
3	940280	6	Spring washer	
4	846765	2	Rubber element	
5	955900	2	· Washer	
6	860950	2	· Adjuster screw	
7	955806	4	Nut	
8	955901	2	Washer	D=34mm
	978991	2	Washer	D=40mm
9	941913	2	Spring washer	