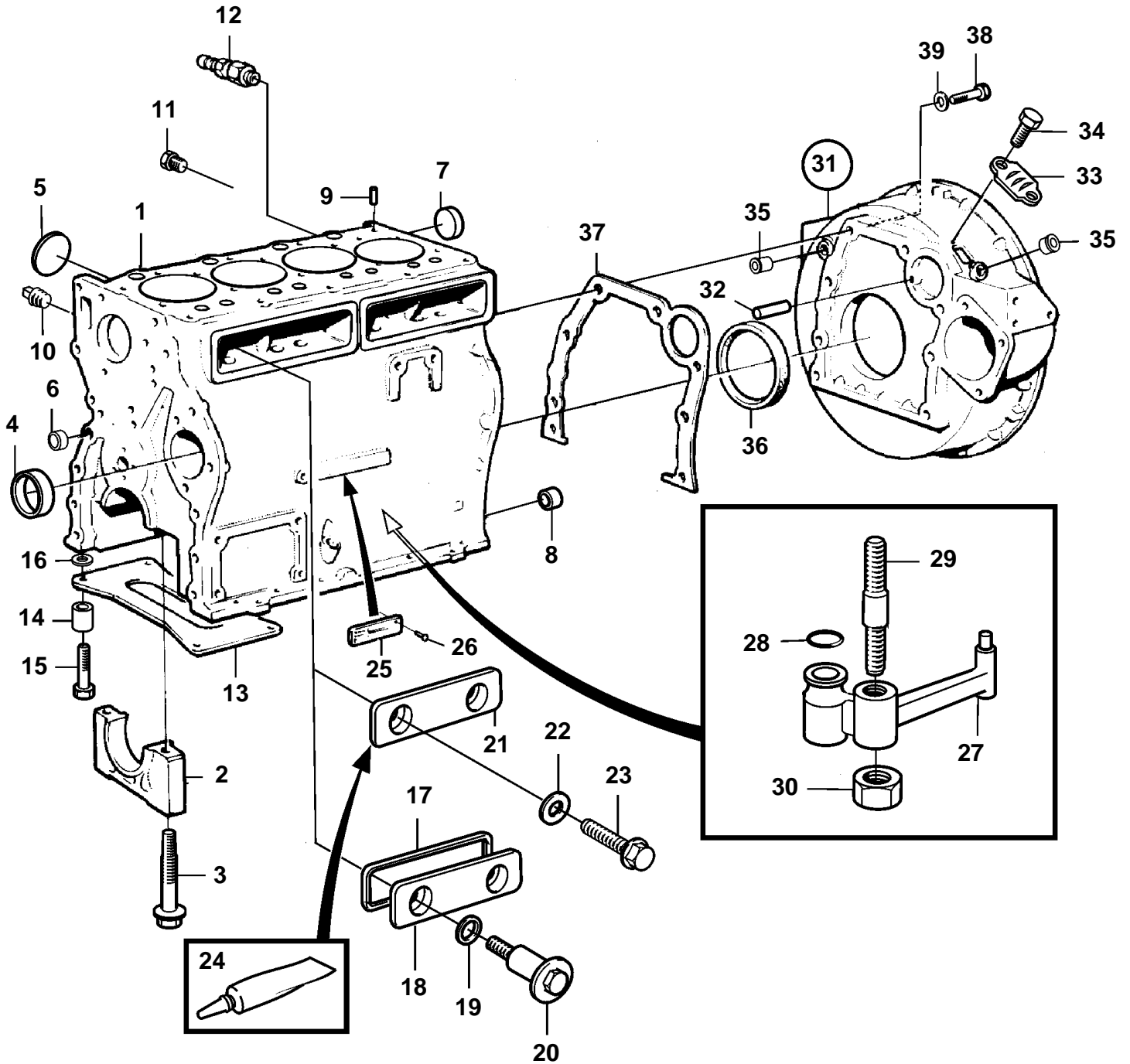


TMD31L-A, TAMD31L-A, TAMD31M-A, TAMD31S-A, AD31L-A



22694

TMD31L-A, TAMD31L-A, TAMD31M-A, TAMD31S-A, AD31L-A

REF	PART NO.	QTY	DESCRIPTION	NOTES
1	861015	1	Cylinder block	SN-2203133630
	3583851	1	Cylinder block	SO SN2203133631-2203135150
2		5	· Main bearing cap	
3	861005	10	· Flange screw	
4	1542067	5	· Bushing	
5	463905	2	· Expansion plug	
6	955083	4	· Cap plug	
7	968955	1	· Expansion plug	
8	415311	3	· Sleeve	
9	946402	2	· Pin	
10	479977	1	Plug	
11	479979	2	Plug	
12	947893	1	Drain cock	
13	1545159	1	Foot plate	
14	1545160	4	Spacer sleeve	
15	965187	4	Screw	
16	3850090	4	Spacer	
17	1542052	2	Rubber seal	EARLY TYPE
18	1542050	2	Inspection lid	EARLY TYPE
19	469846	4	Sealing ring	EARLY TYPE
20	859447	4	Shoulder screw	EARLY TYPE
21	877262	2	Inspection lid	LATE TYPE
22	18666	4	Gasket	LATE TYPE
23	965185	4	Flange screw	LATE TYPE
24	1161277	X	Sealant	LATE TYPE
	1161231	X	Sealant	LATE TYPE
25		1	Sign	
26	950885	2	Rivet	
27	1542320	4	Oil jet	Included in cylinder liner kit 3581714.
28	955981	4	O-ring	
29	1542380	4	Stud	
30	946035	4	Lock nut	
31	3581825	1	Flywheel housing	
32	404069	1	Setting indicator	
33	407092	1	Cover	
34	967949	2	Screw	
35	860926	1	Plug	
36	3582851	1	Sealing ring kit	
37	829487	1	Gasket	
38	965185	6	Flange screw	L=40mm
	965220	2	Flange screw	L=45mm
39	941908	8	Spring washer	