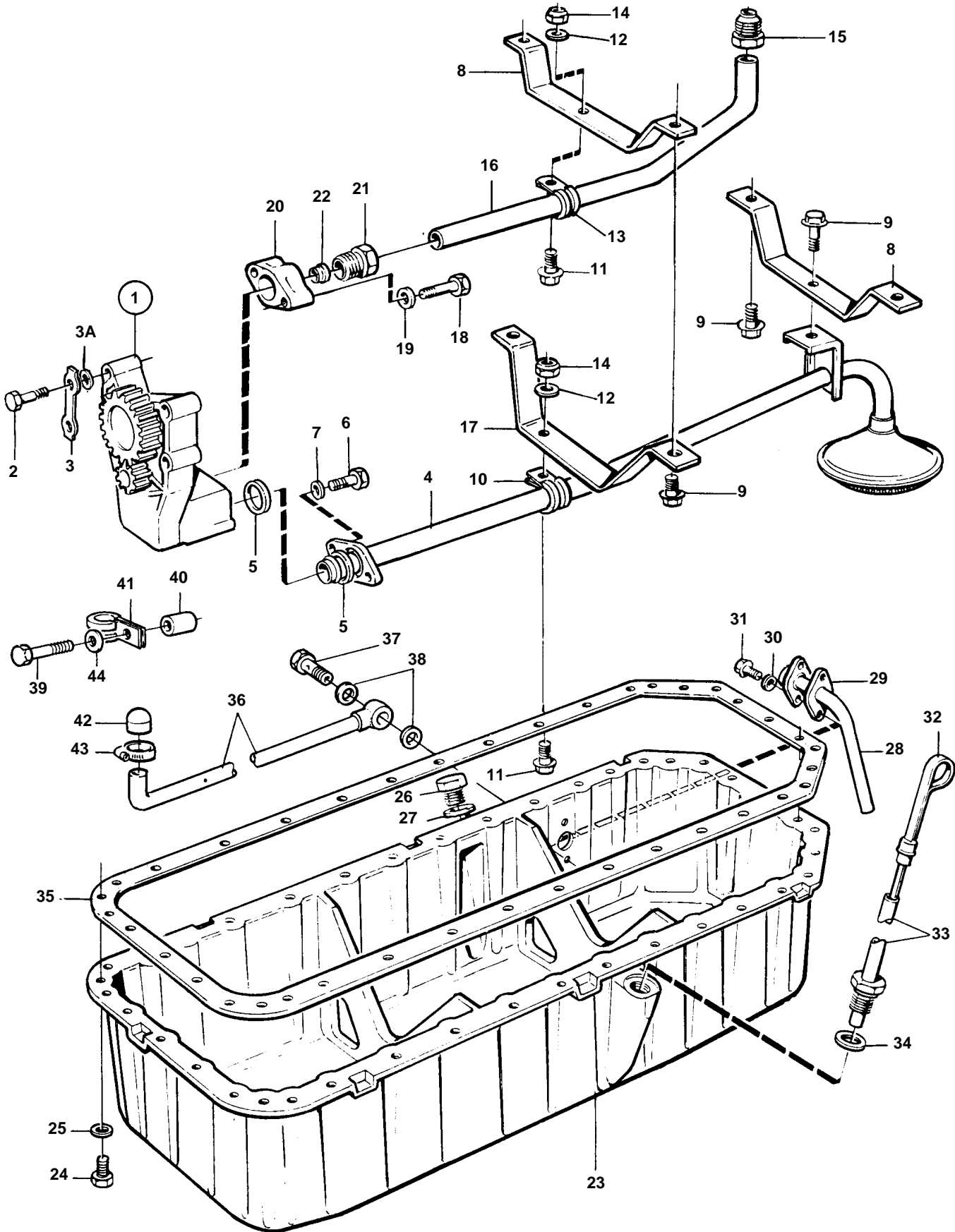


TMD122A, TAMD122A



15813

TMD122A, TAMD122A

REF	PART NO.	QTY	DESCRIPTION	SEE SEC.	NOTES
1	470343	1	Oil pump		SN-XXXXXXXXXX/146170
				1736	
	478285	1	Oil pump		SNXXXXXXXXXX/146171- SN-XXXXXXXXXX/170484
				1736	
	478649	1	Oil pump		SNXXXXXXXXXX/170485-
				752	
2	955538	4	Screw		
3	190529	2	Lock washer		EARLY TYPE
3A	942336	4	Spring washer		LATE TYPE
4	849045	1	Suction pipe		
5	470383	2	Sealing ring		
6	955533	2	Screw		
7	941907	2	Spring washer		
8	470918	2	Bracket		
9	942402	6	Flange screw		
10	1545431	1	Clamp		
11	942402	2	Flange screw		
12	941907	2	Spring washer		
13	1545432	1	Clamp		
14	955826	2	Nut		
15	466908	1	Fitting		
16	470375	1	Pipe		
17	470893	1	Bracket		
18	959794	2	Screw		
19	941907	2	Spring washer		
20	470376	1	Intermediate section		
21	470377	1	Fitting		
22	956973	1	Ferrule		
23	848812	1	Oil pan		Replaced by 1pcs 864149, sump, 1pcs 864133, bracket, 1pcs 864216, pipe and 9pcs 942402, flange screw.
	864149	1	Oil pan	1187	
24	955525	43	Screw		
25	941907	43	Spring washer		
26		1	Plug		
27	957187	1	Washer		
28	848986	1	Oil draining pipe		
29	862602	1	Gasket		
30	941907	2	Spring washer		
31	955525	2	Screw		
32	848984	1	Oil dipstick		
33	848983	1	Tube		
34	957187	1	Washer		
35	478505	1	Gasket		
36	844870	1	Oil scavenging pipe		
37	26013	1	Hollow screw		
38	947624	2	Gasket		
39	940161	1	Screw		
40	807182	1	Spacer sleeve		
41	949747	1	Clamp		
42	842235	1	Cap		
43	943471	1	Hose clamp		
44	941907	1	Spring washer		