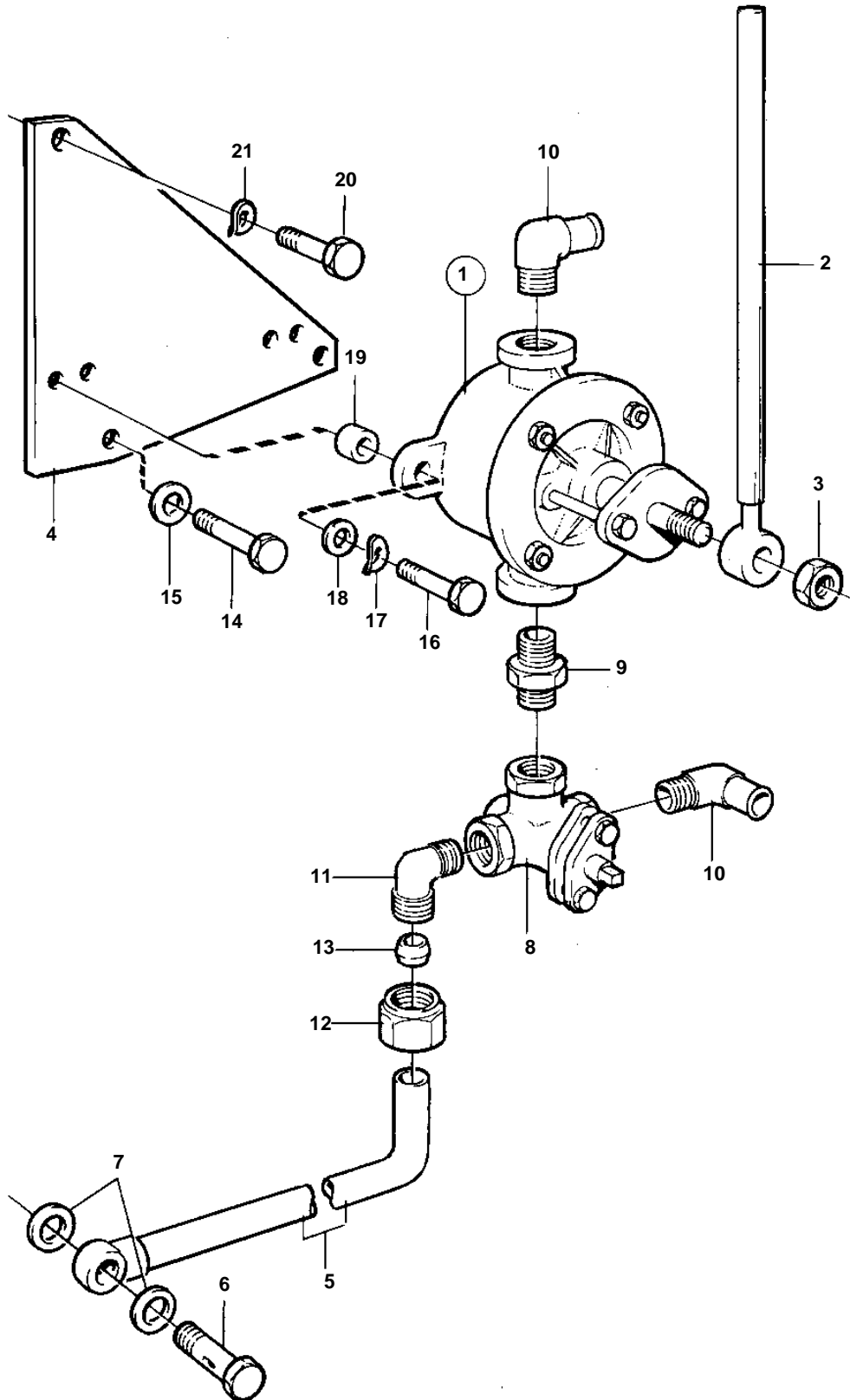


TMD122A, TAMD122, TAMD122P-A



9115

TMD122A, TAMD122, TAMD122P-A

REF	PART NO.	QTY	DESCRIPTION	NOTES
1	805999	1	Oil bilge pump, Standard oil sump	
2	821713	1	· Handle	
3	971071	1	· Nut	
4	849453	1	Bracket	
5	849489	1	Tube	
6	26013	1	Hollow screw	
7	947624	2	Gasket	
8	866572	1	Tap	(807721)
9	16452	1	Nipple	
10	467716	2	Elbow nipple	(961610)
11	941758	1	Elbow union	
12	941752	1	Nut	
13	941753	1	Ferrule	
14	940135	2	Screw	
15	941907	2	Spring washer	
16	955538	2	Screw	
17	942336	2	Spring washer	
18	976945	2	Washer	
19	845884	2	Spacer sleeve	
20	940114	1	Screw	
21	942336	1	Spring washer	