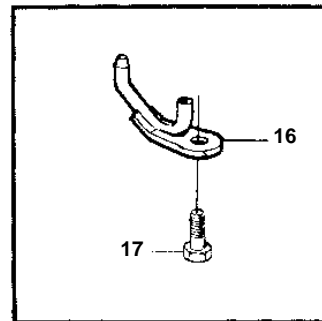
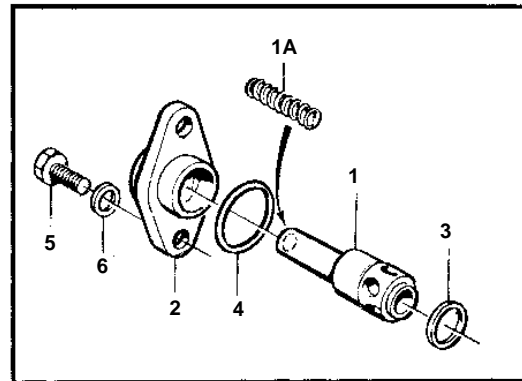
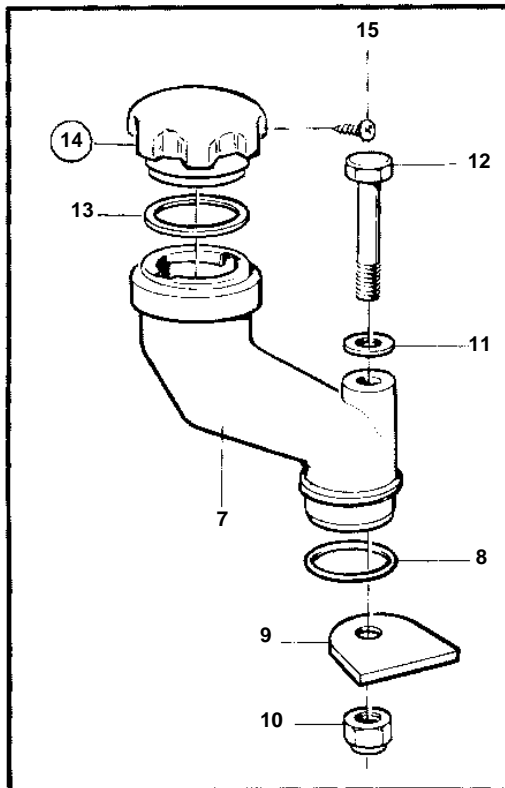
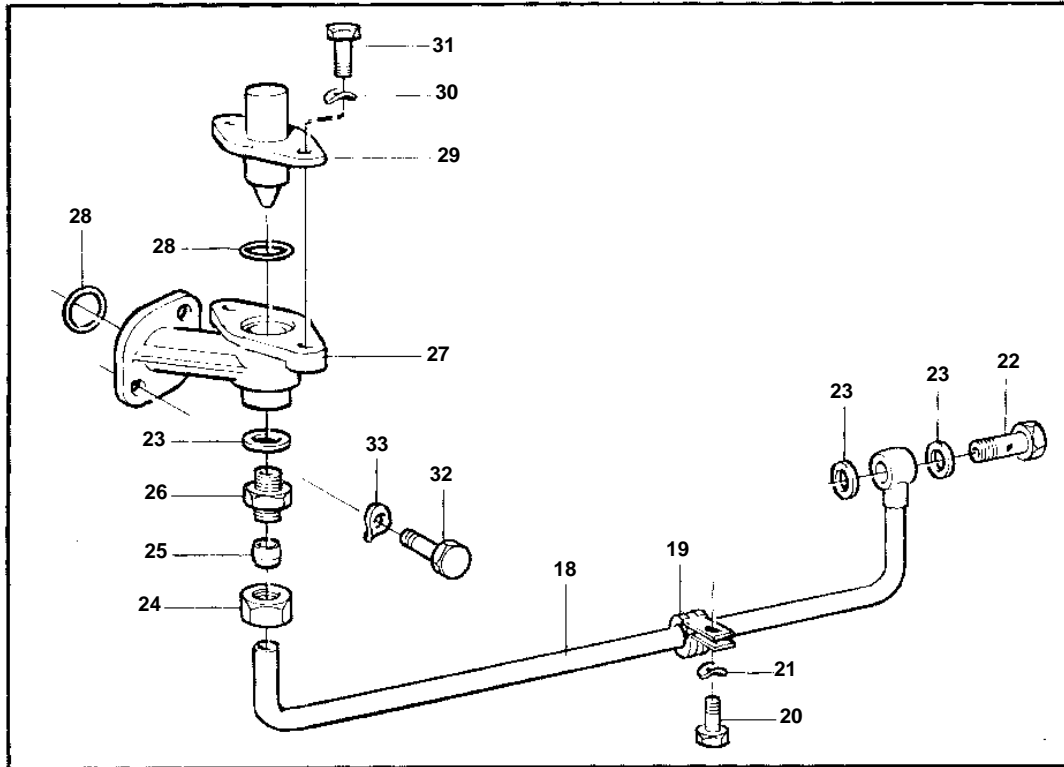


TMD122A, TAMD122A, TAMD122P-A, TAMD122P-B, TAMD122P-C



16714

TMD122A, TAMD122A, TAMD122P-A, TAMD122P-B, TAMD122P-C

REF	PART NO.	QTY	DESCRIPTION	NOTES
1	3826265	1	Reducing valve	VIOLET
1A	3826266	1	· Spring	
2	471752	1	Cover	
3	469846	1	Sealing ring	
4	949658	1	O-ring	
5	940100	2	Screw	
6	949607	2	Spring washer	
7	821792	1	Tube	
8	949658	1	O-ring	
9	820964	1	Bracket	
10	950352	1	Lock nut	
11	955893	1	Washer	
12	955517	1	Screw	
13	1275379	1	Gasket	
14	421753	1	Oil filler cap	
15	955126	1	· Screw	
16	3825945	6	Oil jet	
17	948587	6	Lock screw	
18	842830	1	Delivery pipe	
19	952629	1	Clamp	
20	940100	1	Screw	
	940094	1	Screw	
21	941906	1	Spring washer	
22	190714	1	Hollow screw	
23	947624	3	Gasket	
24	956985	1	Nut	
25	956971	1	Ferrule	
26	192639	1	Nipple	
27	843529	1	Housing	
28	949659	2	O-ring	
29	466450	1	Valve	For piston cooling.
30	941906	2	Spring washer	
31	940094	2	Screw	
32	955525	2	Screw	
33	941907	2	Spring washer	