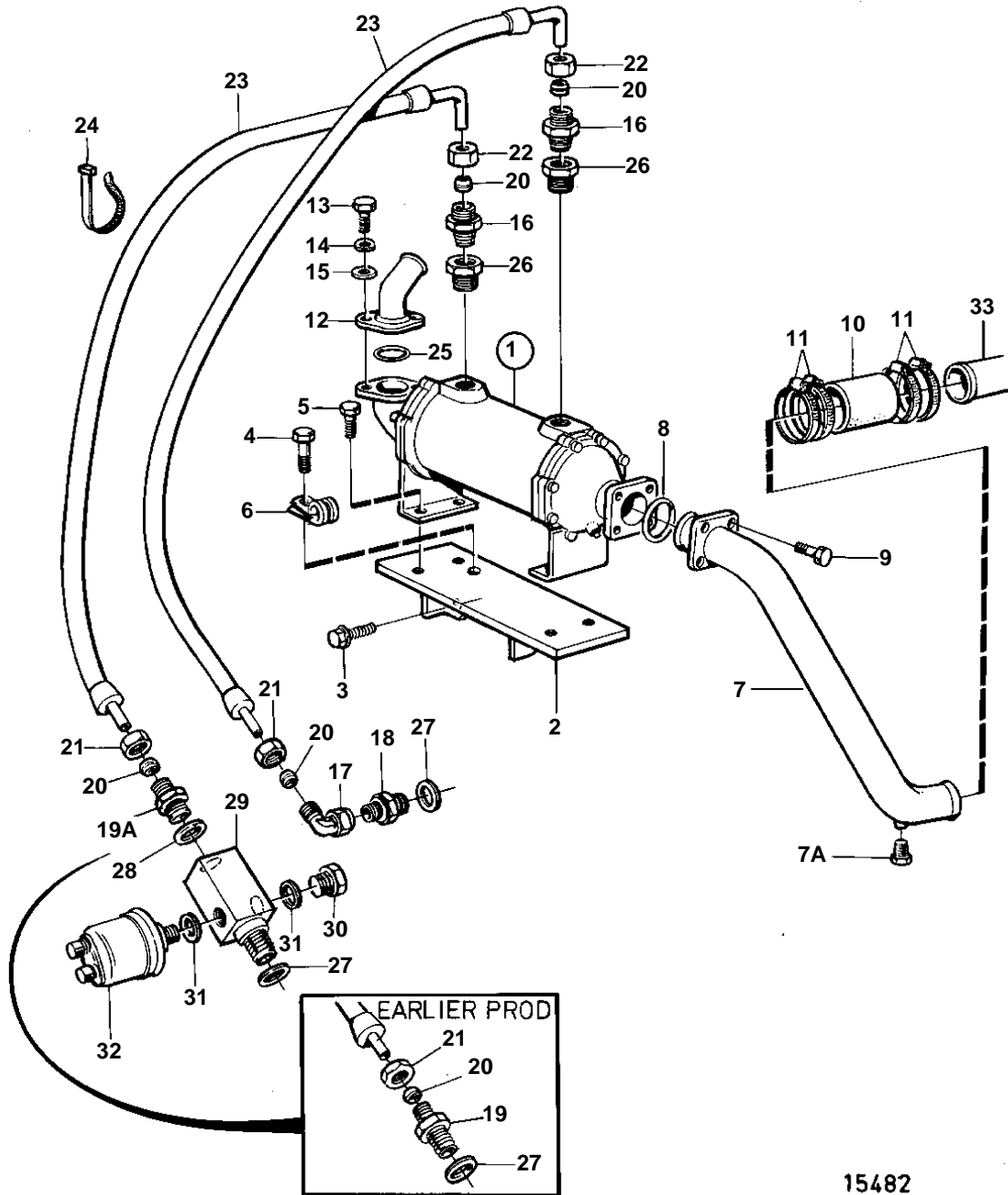


TAMD102A, TAMD102D



## TAMD102A, TAMD102D

REF	PART NO.	QTY	DESCRIPTION	SEE SEC.	NOTES
1		1	Oil cooler		
				1369	
2	863810	1	Bracket		
3	946752	2	Flange screw		
4	946441	1	Screw		
5	946440	4	Flange screw		
6	946834	1	Clamp, cable-sender		
7	863817	1	Tube		
7A	861551	1	Plug		
8	843584	1	Sealing ring		
9	946173	4	Flange screw		
10	952980	X	Rubber hose		L=110mm
11	961672	4	Clamp		
12	863838	1	Tube		
13	940135	2	Screw		
14	941907	2	Spring washer		
15	191172	2	Washer		
16	968132	2	Nipple		
17	964016	1	Nipple		
18	963948	1	Nipple		
19	963948	1	Nipple, reverse gear		EARLY TYPE
19A	963959	1	Nipple		
20	956970	4	Ferrule		
21	956984	2	Nut		
22	941331	2	Nut		
23	848254	2	Hose		
24	948210	3	Strip clamp		
25	925092	1	O-ring		
26	949707	2	Nipple		
27	11996	2	Gasket		
28	947624	1	Gasket		
29	864064	1	Nipple		
30	960632	1	Plug		
31	947624	2	Gasket		
32		1	Oil pressure sensor		SE GROUP 30
33		1	Tubeheat exchanger		