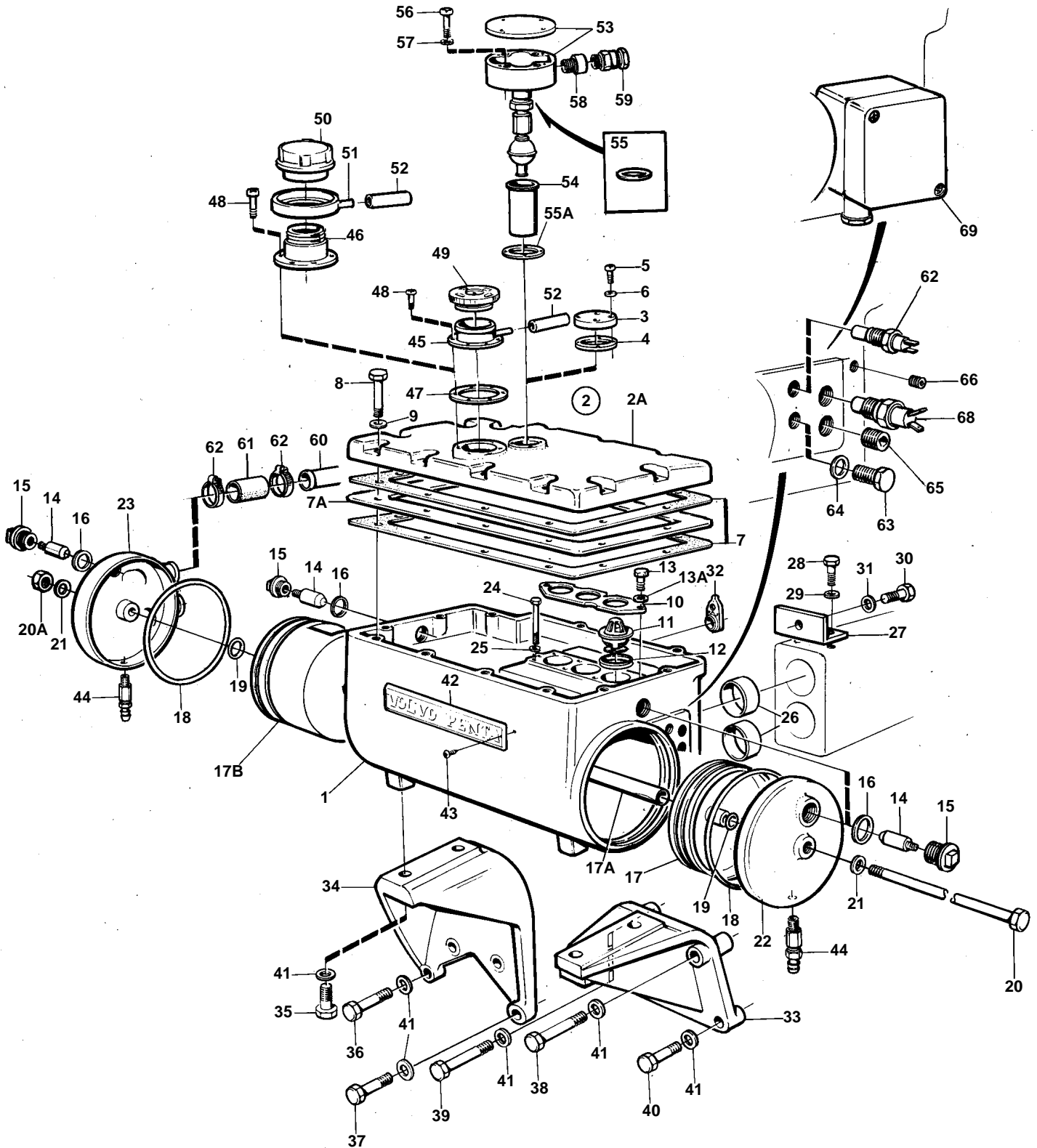


TMD102A



16456

TMD102A

REF	PART NO.	QTY	DESCRIPTION	NOTES
1	837183	1	Housing	
2	844263	1	Cover	REPL BY 843746
2A	843746	1	· Cover	
3	843760	1	· Cover	
4	863715	1	· Gasket	
5	956076	4	· Screw	
6	941905	4	· Spring washer	
7	862598	1	Gasket	SN-1101051558/XXXXXX
	862598	2	Gasket	SN1101051559/XXXXXX-
7A	3825402	1	Plate	SN1101051559/XXXXXX-
8	955525	12	Screw	
9	941907	12	Spring washer	
10	824134	1	Plate	
11	875787	2	Thermostat kit	76°C
	875788	1	Thermostat kit	70°C
12	416033	3	· Sealing ring	
13	942342	4	Screw	
13A	941670	4	Washer	
14	823661	4	Zinc anod	
15	823662	4	Plug	
16	836169	4	Gasket	
17	820734	1	End cover	
17A	820735	1	Tube	
17B	820733	1	End cover	
18	400797	4	O-ring	
19	925057	2	Rubber ring	
20	820719	1	Screw	
20A		1	Nut	
21	11996	2	Gasket	
22	820715	1	End plate	
23	843852	1	Cover	
24	942232	6	Screw	
25	942551	6	Washer	
26	846923	2	Sealing ring	
27	846739	1	Anchorage	
28	940114	2	Screw	
29	942336	2	Spring washer	
30	955560	1	Screw	
31	940280	1	Spring washer	
32	479260	1	Seal	
33	820730	1	Bracket	
34	823036	1	Bracket	
35	940162	4	Screw	
36	955541	3	Screw	L=76mm
37	955535	1	Screw	L=32mm
38	955543	1	Screw	L=95mm
39	940156	1	Screw	L=89mm
40	955539	2	Screw	
41	942336	12	Spring washer	
42	820232	1	Sign	
43	950210	3	Screw	
44	966871	3	Tap	
45	821348	1	Cover	SN-1101051558/XXXXXX
46	3825226	1	Filler neck	SN1101051559/XXXXXX-
47	821349	1	Gasket	
48	950145	6	Screw	
49	866095	1	Pressure cap	SN-1101051558/XXXXXX
50	1674083	1	Pressure cap	SN1101051559/XXXXXX-
51	11033334	1	Collar	SN1101051559/XXXXXX-
52	192618	X	Hose	L=1000mm
53	872315	1	Level guard	
54	862101	1	Splash pipe	SN-1101021147/XXXXXX
	863711	1	Tube	SN1101021148/XXXXXX-

TMD102A

REF	PART NO.	QTY	DESCRIPTION	NOTES
55	862201	1	Gasket	SN-1101021147/XXXXXX
55A	863715	1	Gasket	SN1101021148/XXXXXX-
56	941460	4	Screw	
57	941905	4	Spring washer	
58	843906	1	Reducer sleeve	EARLY TYPE
59	881191	1	Cable union	
60	849155	1	Tube, oil cooler	
61	952980	X	Rubber hose	L=75mm
62	943480	4	Clamp	
63	180761	X	Plug	
64	11996	X	Gasket	
65	479977	X	Plug	(952077)
66	952075	X	Plug	
67		1	Temperature sensor	SE GROUP 30
68		1	Thermo monitor	SE GROUP 30
69		1	Protecting casingclassifiable	SE GROUP 30