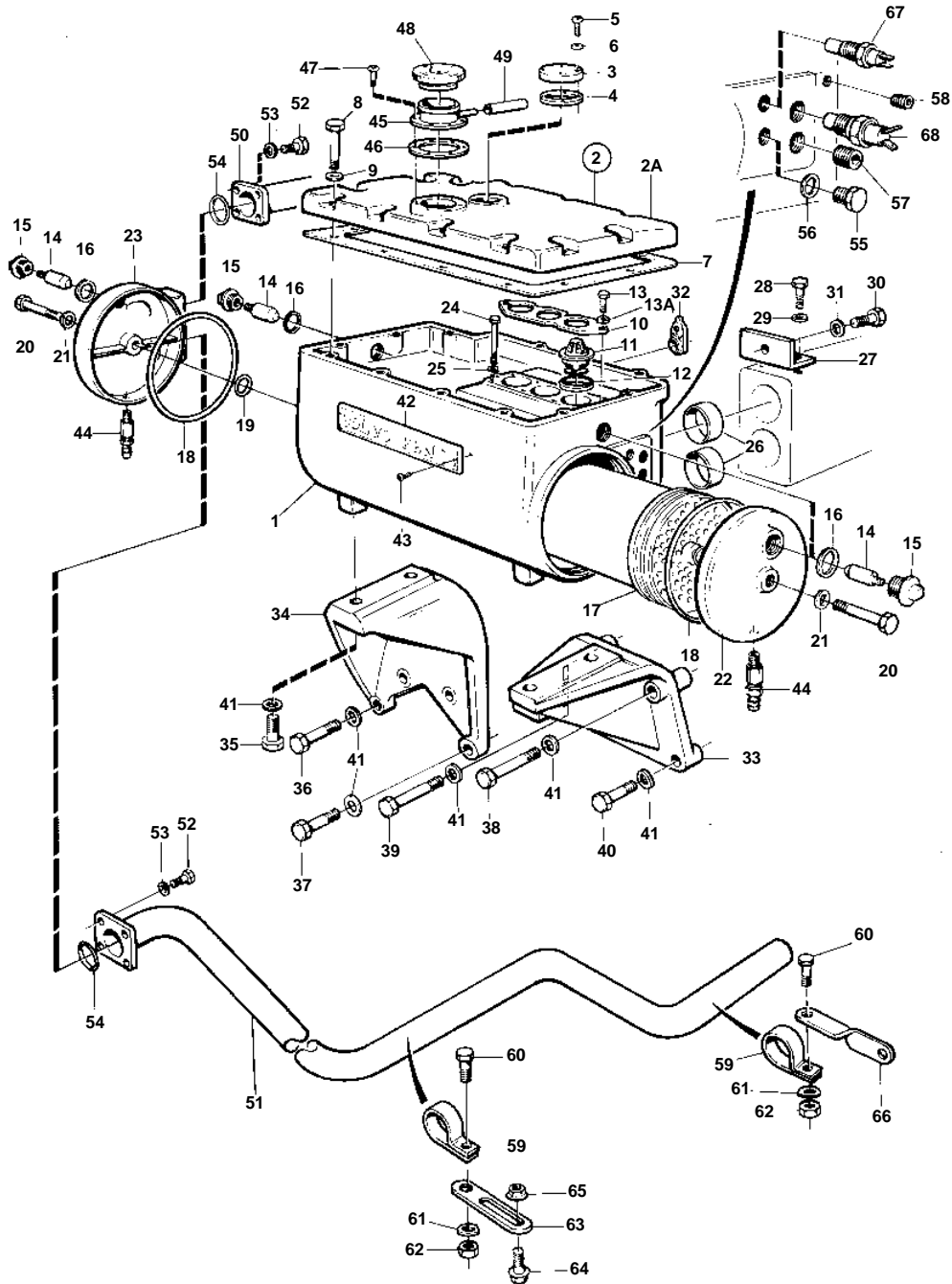


TAMD102D



15278

## TAMD102D

REF	PART NO.	QTY	DESCRIPTION	NOTES
1	837183	1	Housing	
2	844263	1	Cover	
2A	843746	1	· Cover	
3	843760	1	· Cover	
4	863715	1	· Gasket	
5	956076	4	· Screw	
6	941905	4	· Spring washer	
7	862598	1	Gasket	
8	955525	12	Screw	
9	941907	12	Spring washer	
10	824134	1	Plate	
11	875849	3	Thermostat kit	81°C
12	416033	3	· Sealing ring	
13	942342	4	Screw	
13A	941670	4	Washer	
14	823661	4	Zinc anod	
15	823662	4	Plug	
16	836169	4	Gasket	
17	864838	1	Insert	SN-1101051558/XXXXXX
	3825311	1	Heat exchanger eleme	SN1101051559/XXXXXX-
18	400797	4	O-ring	
19	925057	2	Rubber ring	
20	823279	2	Screw	
21	11996	2	Gasket	
22	820715	1	End plate	
23	864309	1	End cover	SO
24	942232	6	Screw	
25	942551	6	Washer	
26	846923	2	Sealing ring	
27	846739	1	Anchorage	
28	940114	2	Screw	
29	942336	2	Spring washer	
30	955560	1	Screw	
31	940280	1	Spring washer	
32	479260	1	Seal	
33	820730	1	Bracket	
34	823036	1	Bracket	
35	940162	4	Screw	
36	955541	3	Screw	L=76mm
37	955535	1	Screw	L=32mm
38	955543	1	Screw	L=95mm
39	940156	1	Screw	L=89mm
40	955539	2	Screw	
41	942336	12	Spring washer	
42	820232	1	Sign	
43	950210	3	Screw	
44	966871	3	Tap	
45	821348	1	Cover	
46	821349	1	Gasket	
47	950145	6	Screw	
48	866095	1	Pressure cap	
49	192618	X	Hose	L=1000mm
50	864303	1	Tube, intercooler	SN-1101051736/XXXXXX
	3825372	1	Coolant pipe, intercooler	SN1101051737/XXXXXX-
51	865430	1	Pipe, oil cooler-rev.gear	SN-1101051736/XXXXXX
	3825383	1	Coolant pipe, oil cooler-rev.gear	SN1101051737/XXXXXX-
52	956569	8	Screw	
53	941907	8	Spring washer	
54	843584	2	Sealing ring	
55	180761	1	Plug	
56	11996	1	Gasket	
57	479977	1	Plug	(952077)
58	952075	1	Plug	

