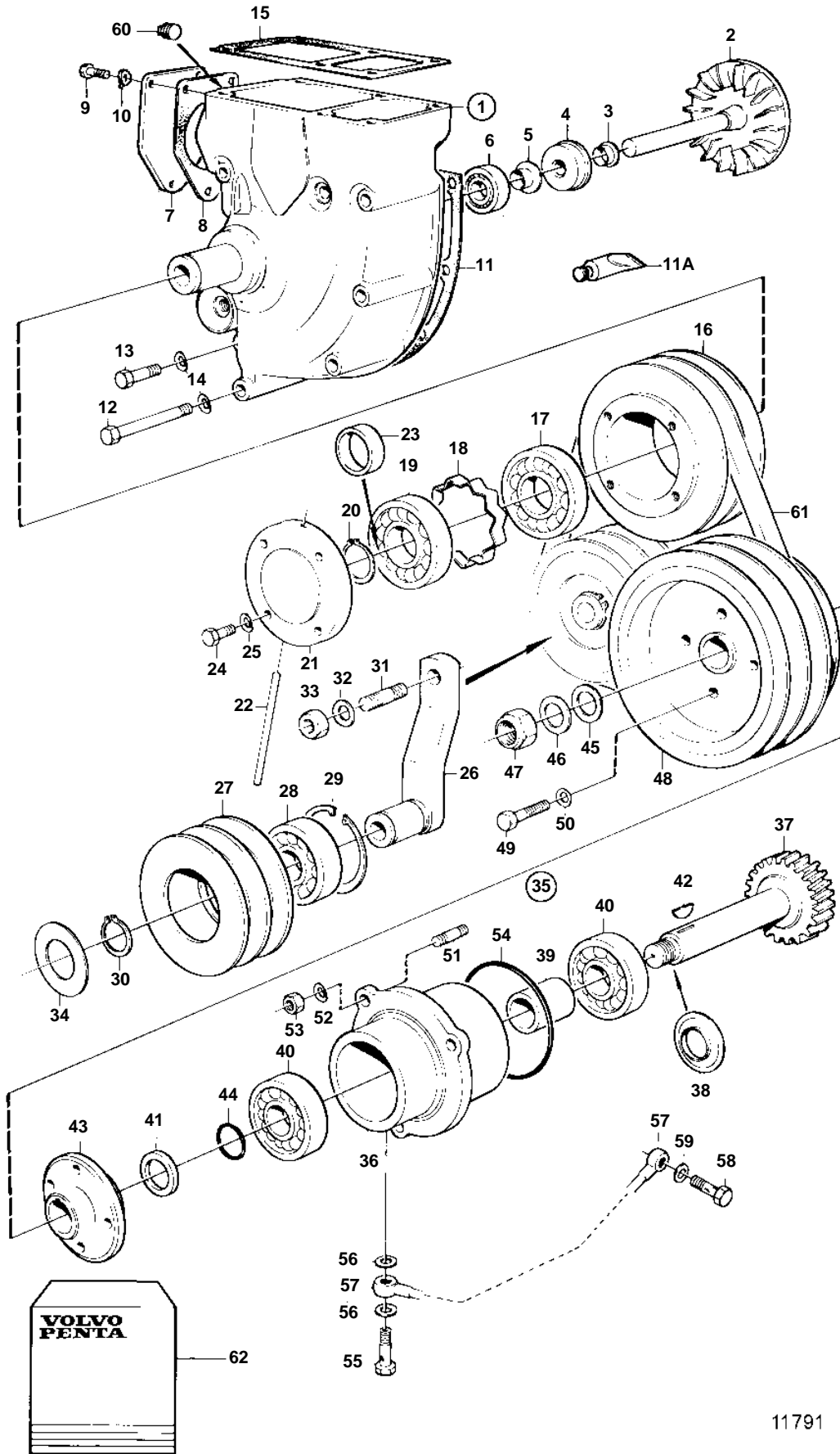


TMD102A, TAMD102A



11791

TMD102A, TAMD102A

REF	PART NO.	QTY	DESCRIPTION	NOTES
1	422311	1	Water pump	
2	422148	1	· Shaft	
3	421306	1	· Wear ring	
4	1545283	1	· Sealing ring	
5	70913	1	· Deflector	
6	1660609	1	· Ball bearing	
7	846685	1	· Flange	FOR HEAT EX.
8	422171	1	· Gasket	
9	955524	3	· Screw	
10	941907	3	· Spring washer	
11	423127	1	Gasket	EARLY TYPE
11A	1161231	X	Sealant	LATE TYPE
12	955542	6	Screw	
13	940162	2	Screw	
14	942336	8	Spring washer	
15	862596	1	Gasket	
16	822548	1	Pulley	
17	181538	1	Ball bearing	
18	422202	1	Spacer sleeve	
19	1542870	1	Ball bearing	
20	914462	1	Lock ring	
21	836805	1	Companion flange	
22	951969	1	Pin	
23	1542871	1	Spacer sleeve	
24	940159	4	Screw	
25	941907	4	Spring washer	
26	823024	1	Lever	
27	822551	1	Pulley	
28	1544092	1	Ball bearing	
29	914533	1	Snap ring	
30	914462	1	Lock ring	
31	953354	1	Stud	
32	941911	1	Spring washer	
33	955828	1	Nut	
34	420416	1	Protecting plate	
35	837702	1	Drive outlet	
36	837703	1	· Bearing housing	
37	837704	1	· Gear	
38	837705	1	· Oil deflector	
39	837706	1	· Spacer sleeve	
40	183731	2	· Ball bearing	
41	958856	1	· Sealing ring	
42	909867	1	· Key	
43	837707	1	· Hub	
44	190418	1	· O-ring	
45	947170	1	· Gasket	
46	837708	1	· Washer	
47	949399	1	· Nut	
48	842769	1	Pulley	
49	955534	4	Screw	
50	942336	4	Spring washer	
51	953280	2	Stud	L=120mm
	953257	1	Stud	L=35mm
52	942336	3	Spring washer	
53	955827	3	Nut	
54	949660	1	O-ring	
55	844625	1	Hollow screw	
56	947620	2	Gasket	
57	837711	1	Tube, oil	
58	837709	1	Hollow screw	
59	11994	1	Gasket	
60	952077	1	Plug	
61	966958	1	V-belt kit	

TMD102A, TAMD102A

REF	PART NO.	QTY	DESCRIPTION	NOTES
62	876434	1	Repair kit, circulation pump	SEE GROUP 99