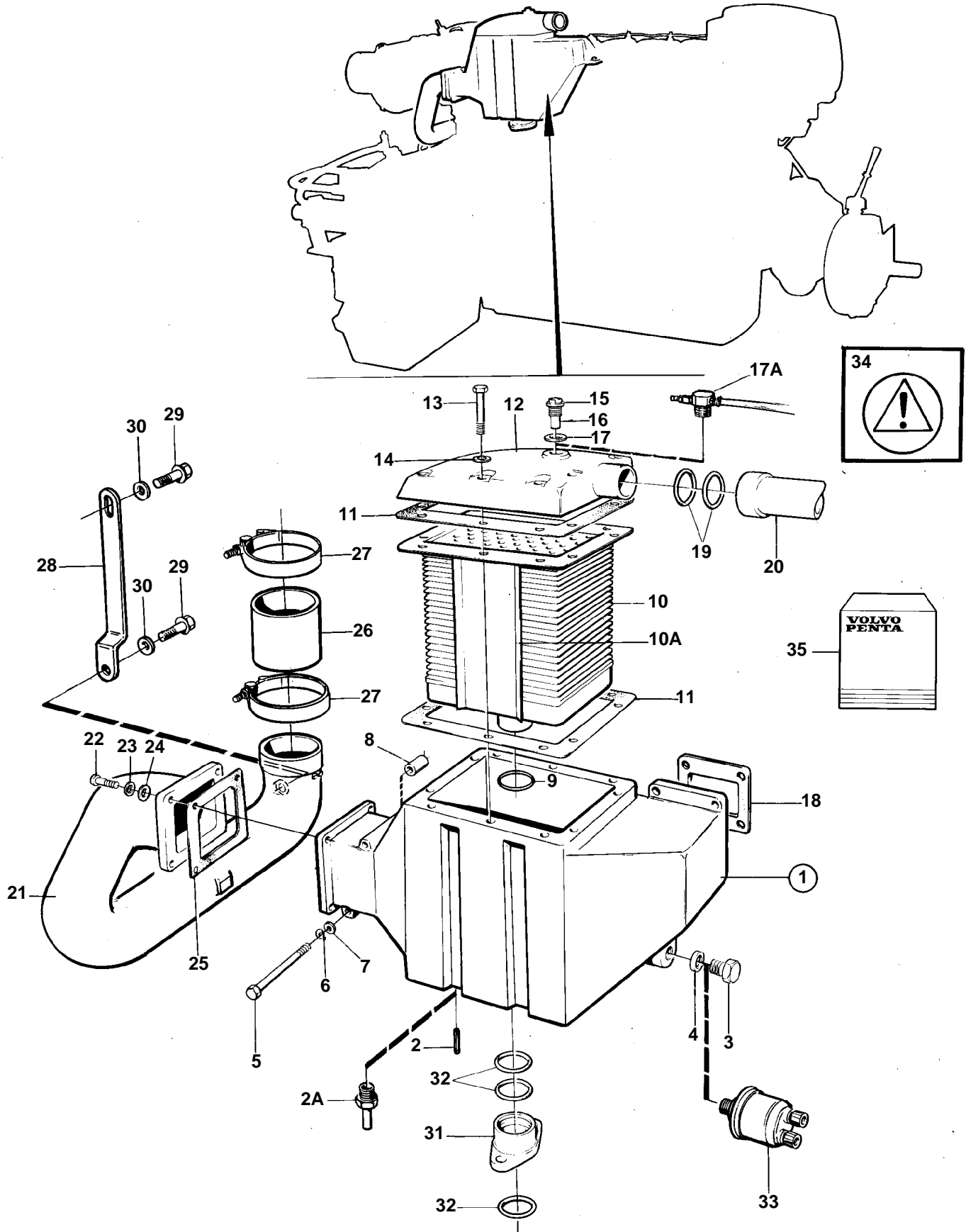


TAMD102D



TAMD102D

REF	PART NO.	QTY	DESCRIPTION	SEE SEC.	NOTES
1	842392	1	Housing		REPLACED BY 876797
	876797	1	Housing		
2		1	· Pin		FOR 842392
2A	943513	1	· Nipple		FOR 876797
3	960632	1	Plug		
4	957181	1	Gasket		
5	959794	2	Screw		L=127mm
6	941907	2	Spring washer		
7	191172	2	Washer		
8	843028	2	Spacer sleeve		
9	1664473	1	O-ring		
10	866622	1	Insert		CLASSIFIED
10A	849147	1	Sealing plate		
11	864839	2	Gasket		
12	843590	1	Cover		HEAT EX.
	836014	1	Cover		K.C
13	959952	10	Screw		
14	941670	10	Washer		
15	823662	1	Plug		HEAT EX.
16	823661	1	Zinc anod		HEAT EX.
17	836169	1	Gasket		HEAT EX.
17A			Connector		K.C
18	862589	1	Gasket		
19	925092	2	O-ring		NOT K.C
20	864303	1	Tube, heat exchanger		NOT K.C
21	866064	1	Connection pipe	SO	
22	956570	4	Screw		
23	941907	4	Spring washer		
24	955894	4	Washer		
25	864758	1	Gasket		
26	470327	1	Hose, turbo		
27	1544731	2	Hose clamp		
28	849606	1	Bracket		
29	946544	2	Flange screw		
30	955893	2	Washer		
31			Connectoroil cooler	848	
32	925092	3	O-ring		
33		1	Pressure sensorturbo		SE GROUP 30
34	853717	1	Decal		"WARNING". For hot areas.
35	876295	1	Gasket kit, intercooler		SEE GROUP 99