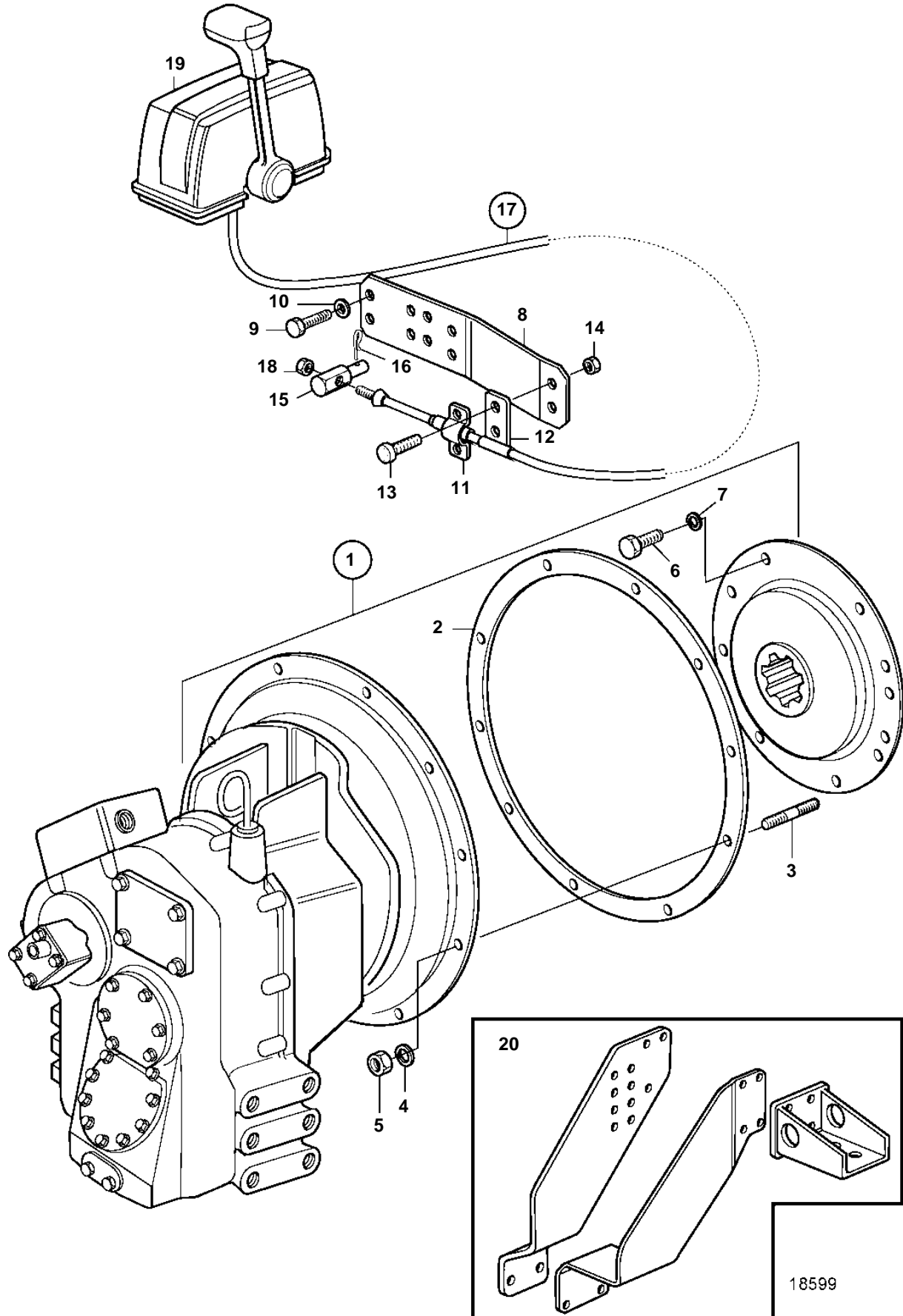


TAMD74L-A, TAMD74P-A, TAMD74L-B, TAMD74P-B, TAMD75P-A



TAMD74L-A, TAMD74P-A, TAMD74L-B, TAMD74P-B, TAMD75P-A

REF	PART NO.	QTY	DESCRIPTION	SEE SEC.	NOTES
1		1	Reversing gear		RATIO 1.561:1
		1	Reversing gear		RATIO 1.772:1
		1	Reversing gear		RATIO 2.063:1
			Comps. not spec.		
2	862623	1	Gasket		
3	953486	12	Stud		
4	942336	12	Spring washer		
5	955827	12	Nut		
6	940162	8	Screw		
7	942336	8	Spring washer		
8	863123	1	Bracket		
9	955524	2	Screw		
10	941907	2	Spring washer		
11	819067	1	Brace		
	6853782	1	Clamp		
12	819068	1	Washer		
13	956079	2	Screw		
14	963104	2	Nut		
15	853217	1	Cube		
16	907824	1	Cotter pin		
17		X	Control cable		SEE GROUP 27
18		1	· Nut		
19		1	Control		
20		2	Engine suspension	5014	28"/22.5"