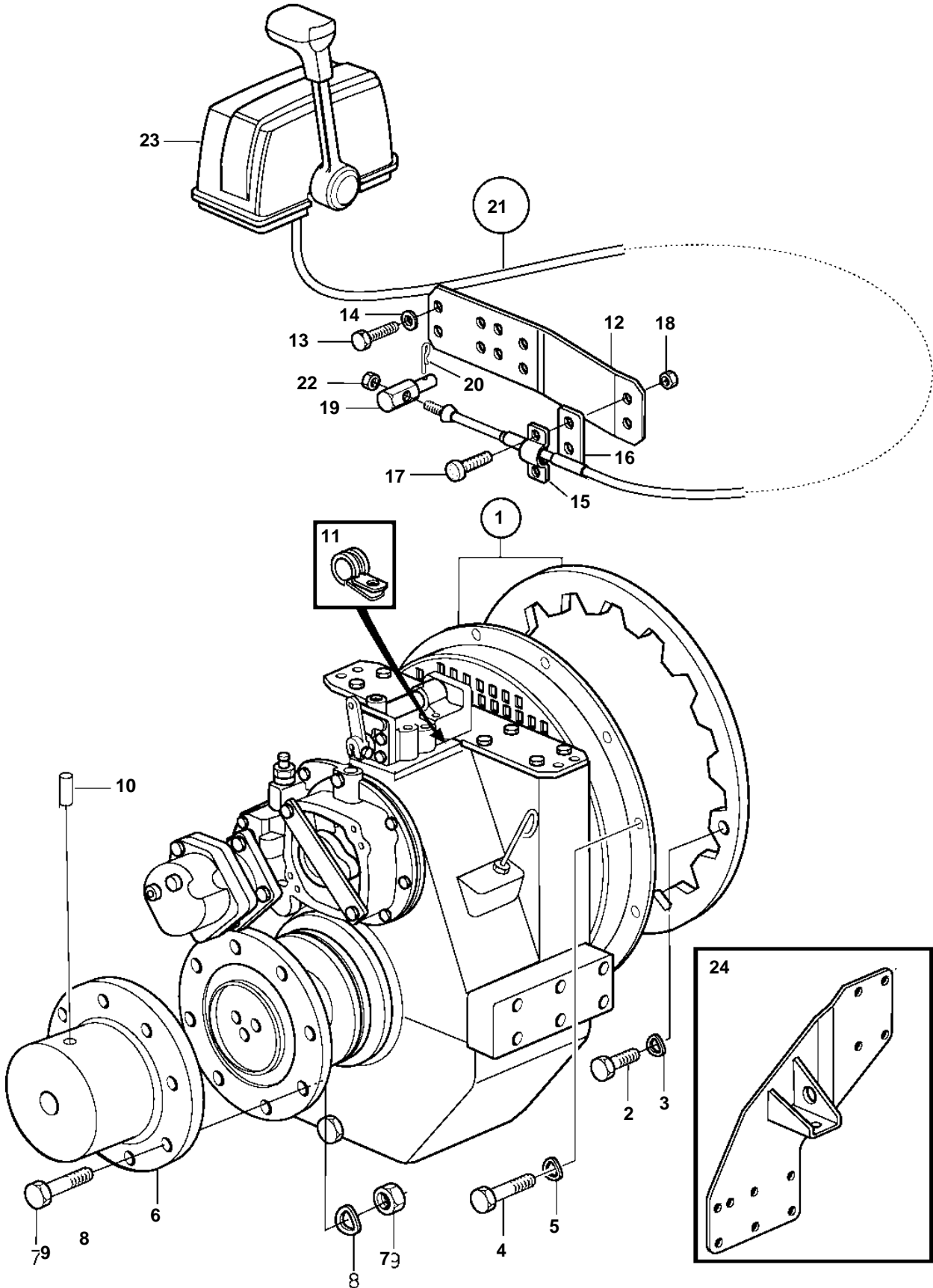


TAMD74A-A, TAMD74A-B



18604

TAMD74A-A, TAMD74A-B

REF	PART NO.	QTY	DESCRIPTION	SEE SEC.	NOTES
1		1	Reversing gearComps. not spec.		RATIO 3.82:1
		1	Reversing gearComps. not spec.		RATIO 4.50:1
		1	Reversing gearComps. not spec.		RATIO 5.10:1
2	955536	8	Screw		L=45mm
3	942336	8	Spring washer		
4	955535	12	Screw		L=32mm
5	942336	12	Spring washer		
6	837093	1	Companion flange	SO	
7	955774	8	Screw		
8	941917	8	Spring washer		
9	950381	8	Lock nut	SO	
10		2	Pin		
11	949746	1	Clamp		
12	863123	1	Bracket		
13	955524	2	Screw		
14	941907	2	Spring washer		
15	819067	1	Brace		
	6853782	1	Clamp		
16	819068	1	Washer		
17	956079	2	Screw		
18	963104	2	Nut		
19	853217	1	Cube		
20	949791	1	Cotter pin		
21		X	Control cable		See group 27
22		1	• Nut		
23		X	Control		See group 27
24	848395	1	Bracket	SO 5021	SB
	3831516	1	Bracket		P