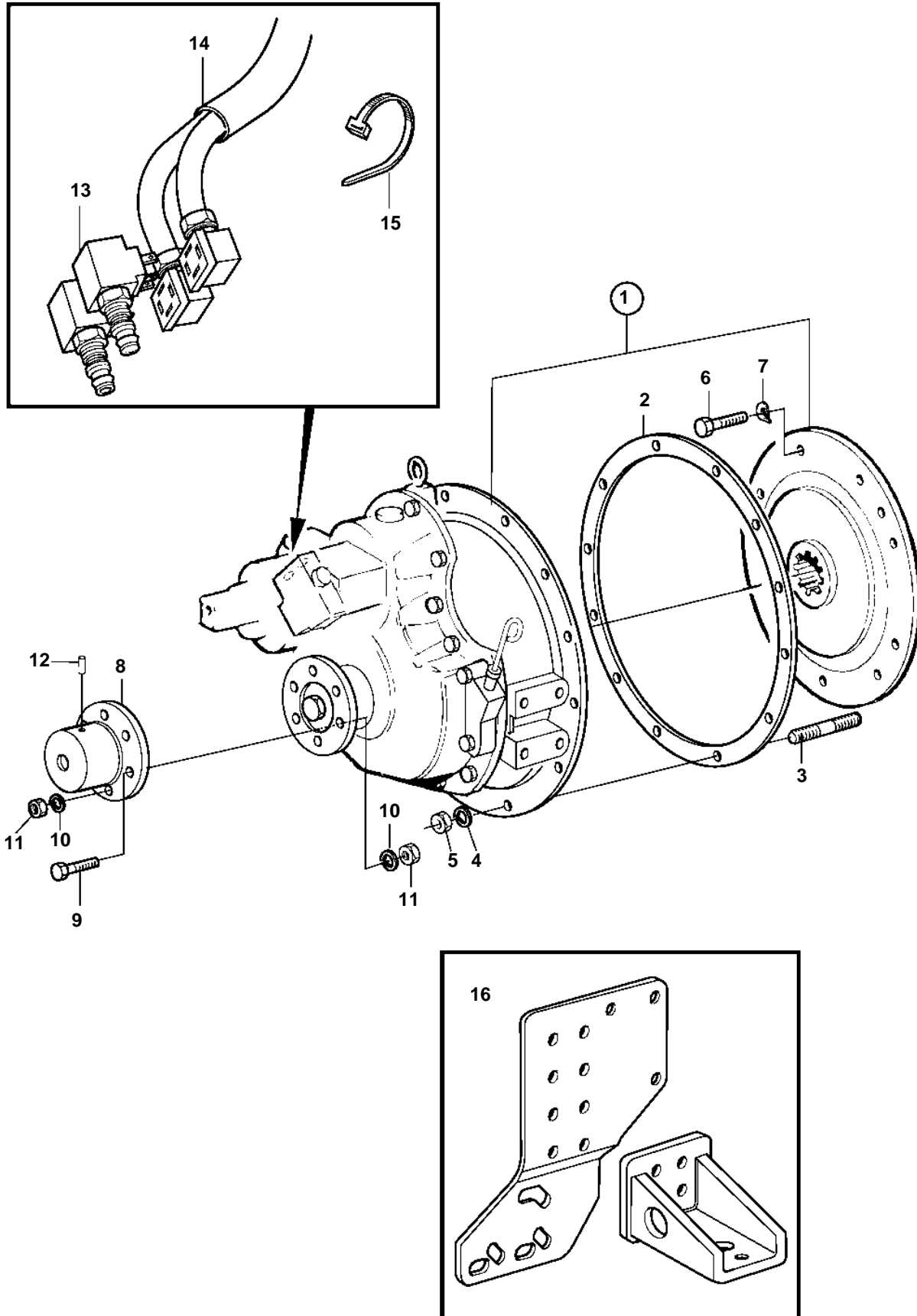


TAMD74A-A, TAMD74A-B, TAMD74C-A, TAMD74L-A, TAMD74P-A, TAMD74C-B, TAMD74L-B, TAMD74P-B, TAMD75P-A



18870

TAMD74A-A, TAMD74A-B, TAMD74C-A, TAMD74L-A, TAMD74P-A, TAMD74C-B, TAMD74L-B, TAMD74P-B, TAMD75P-A

REF	PART NO.	QTY	DESCRIPTION	SEE SEC.	NOTES
1		1	Reversing gear		RATIO 1.53:1
		1	Reversing gear		RATIO 1.77:1
		1	Reversing gear		RATIO 2.05:1
2	862623	1	Gasket		
3	953486	11	Stud		
4	942336	11	Spring washer		
5	955827	11	Nut		
6	956582	8	Screw		
7	942336	8	Spring washer		
8	865434	1	Clutch flange		
9	955751	6	Screw		L=64mm
10	941914	6	Spring washer		
11	950379	6	Nut		
12	965011	2	Pin		
13	3828564	1	Solenoid		12V
	3828565	1	Solenoid		24V
14	873827	1	Cable kit		(873659)
15	948211	2	Strip clamp		
16		2	Engine suspension	3988	