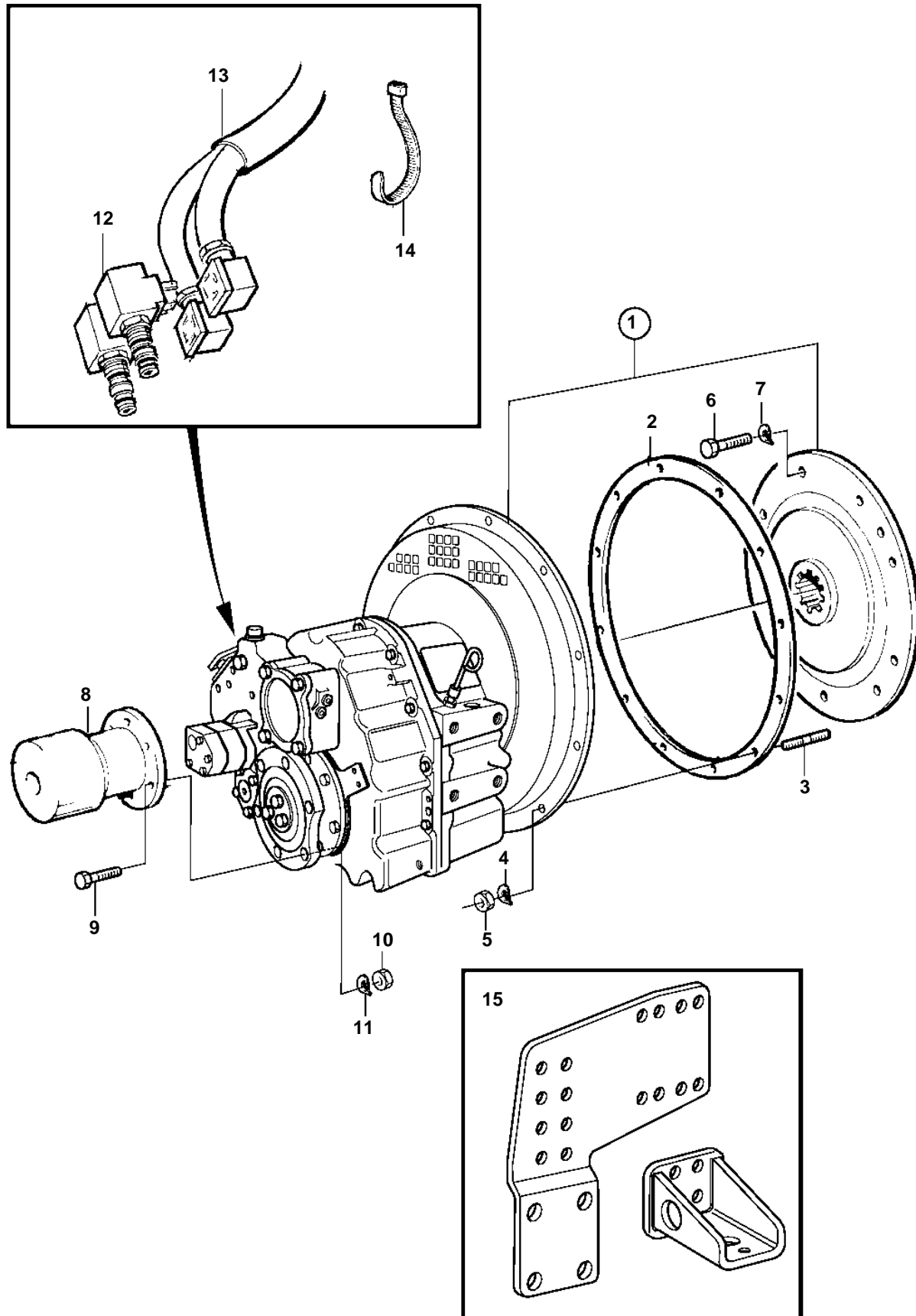


TAMD74A-A, TAMD74A-B, TAMD74C-A, TAMD74L-A, TAMD74P-A, TAMD74C-B, TAMD74L-B, TAMD74P-B, TAMD75P-A



TAMD74A-A, TAMD74A-B, TAMD74C-A, TAMD74L-A, TAMD74P-A, TAMD74C-B, TAMD74L-B, TAMD74P-B, TAMD75P-A

REF	PART NO.	QTY	DESCRIPTION	SEE SEC.	NOTES
1		1	Reversing gear		RATIO 1.47:1
1		1	Reversing gear		RATIO 1.72:1
		1	Reversing gear		RATIO 2.04:1
			Comps. not spec.		
2	862623	1	Gasket		
3	953486	11	Stud		
4	942336	11	Spring washer		
5	955827	11	Nut		
6	956582	8	Screw		
7	942336	8	Spring washer		
8		1	Clutch flange		
9	955739	6	· Screw		L=64mm
10	950378	6	· Nut		
11	941912	6	· Spring washer		
12	3825653	1	Actuator solenoid		12V
	3825654	1	Control magnet kit		24V
13	873827	1	Cable kit		(873659)
14	948211	2	Strip clamp		
15		2	Engine suspension	3988	