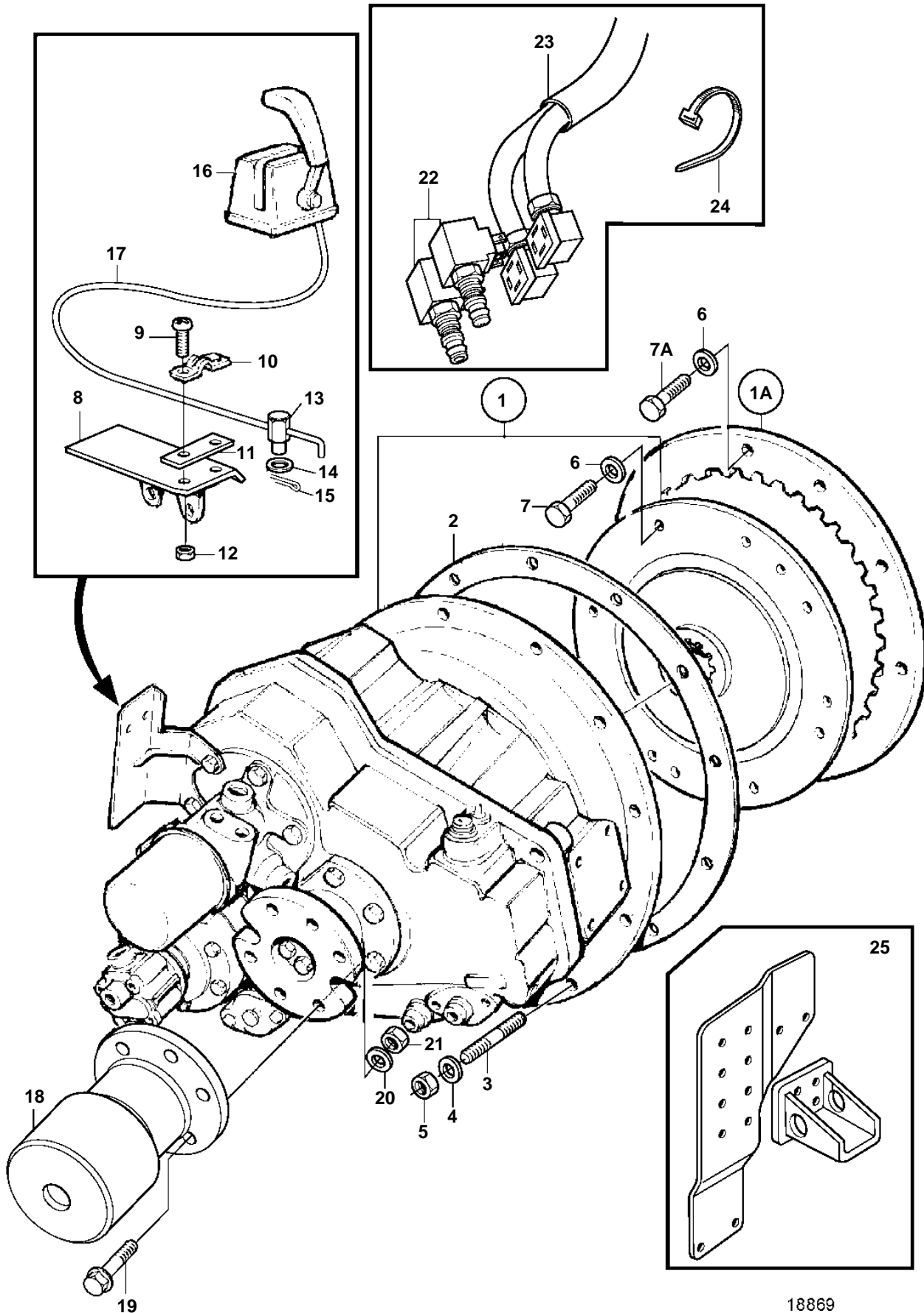


TAMD74C-A, TAMD74L-A, TAMD74P-A, TAMD74C-B, TAMD74L-B, TAMD74P-B, TAMD75P-A



18869

TAMD74C-A, TAMD74L-A, TAMD74P-A, TAMD74C-B, TAMD74L-B, TAMD74P-B, TAMD75P-A

REF	PART NO.	QTY	DESCRIPTION	SEE SEC.	NOTES
1		1	Reversing gear		RATIO 1.516:1
		1	Reversing gear		RATIO 2.005:1
		1	Reversing gear		RATIO 2.551:1
			Comps. not spec.		
1A		1	· Drive ring		EARLY TYPE
			· Comps. not spec.		
2	862623	1	Gasket		
3	953486	12	Stud		
4	942336	12	Spring washer		
5	955827	12	Nut		
6	942336	8	Spring washer		
7	956582	8	Screw		
7A	956588	8	Screw		
8		1	Bracket		
9	956079	2	Screw		
10	819067	1	Brace		For control cable 333, 33c.
	6853782	1	Clamp		For control cable 443, 43c.
11	819068	1	Washer		
12	963104	2	Nut		
13	853217	1	Cube		
14	940191	1	Washer		
15	17253	1	Cotter pin		
16		1	Control		SEE GROUP 27
17		1	Control cable		SEE GROUP 27
18	842106	1	Clutch flange		
19	955739	6	Screw		
20	941912	6	Spring washer		
21	950378	6	Nut		
22	3827257	2	Solenoid		12V
	3826414	2	Solenoid		24V
23	873827	1	Cable kit		
24	948211	2	Strip clamp		
25		2	Engine suspension	5012	