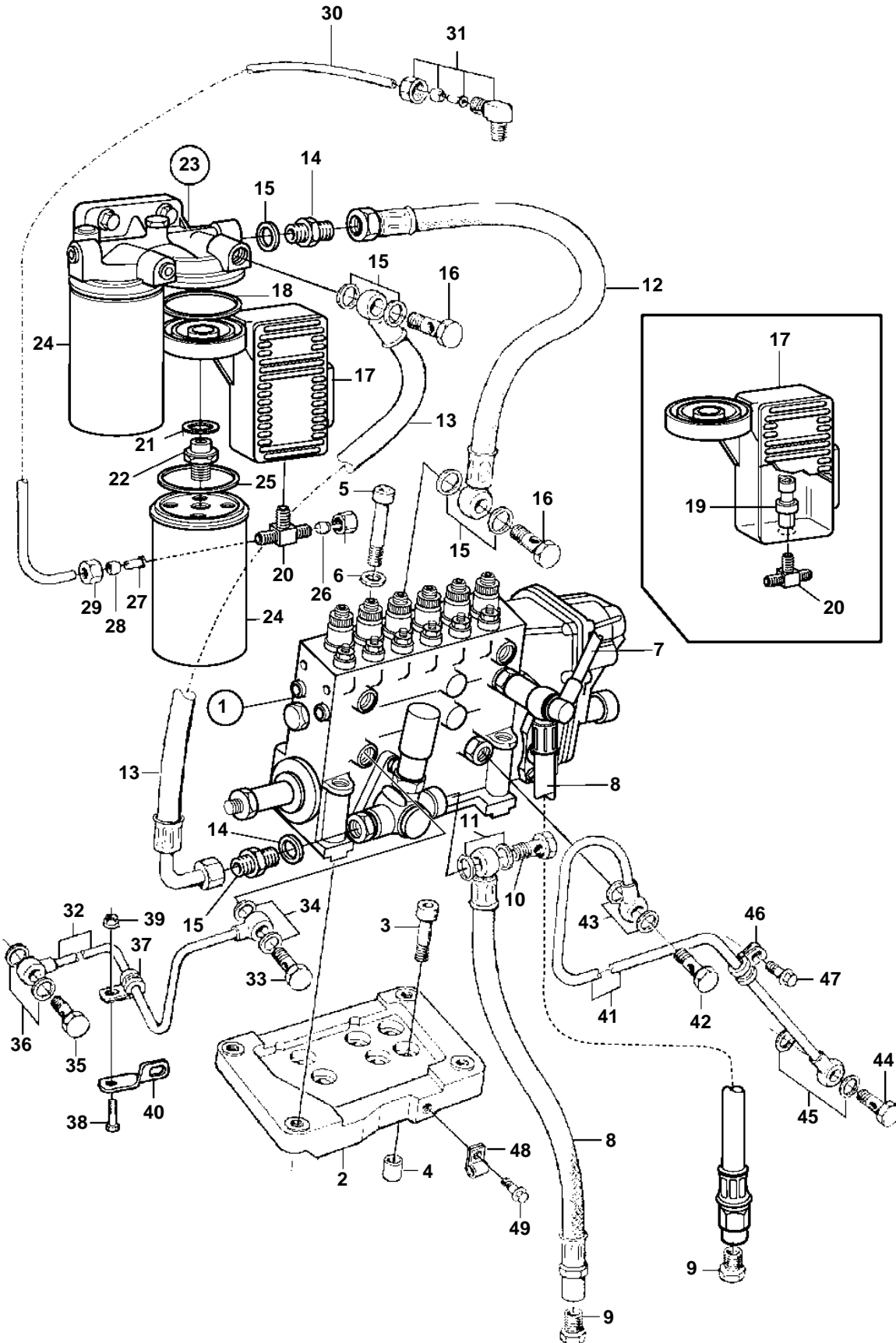


TAMD75P-A



TAMD75P-A

REF	PART NO.	QTY	DESCRIPTION	SEE SEC.	NOTES
1	3836272	1	Injection pump		
	3803829	1	Injection pump, exch		Exchange unit
				4884	
2	477773	1	Shelf		
3	965185	4	Flange screw		L=40mm
4	417588	2	Guide sleeve		
5	959250	4	Screw		L=90mm
6	941908	4	Spring washer		
7		1	Leak-off linefuel hose connecting	5155	
8	3830312	2	Fuel hose		
9	22753	2	Nipple		
10	25167	1	Hollow screw		
11	969011	2	Gasket		
12	3830306	1	Fuel hose		L=445mm
13	3830307	1	Fuel hose		L=460mm
14	941754	2	Nipple		
15	969011	6	Gasket		
16	25167	2	Hollow screw		
17	3839226	1	Control unit, 353kW/2600rpm	SO	
18	3582285	1	· Sealing ring		
19	881708	1	· Pressure sensor		
20	946082	1	· Nipple		
21	955904	1	Washer		
22	3835801	1	Nipple		
23	8194541	1	Filter housing		(1676832)
				4905	
24	3825133	2	Fuel filter	4905	
25		1	Gasket	4905	
26	943006	1	Plug		
27	944717	1	Sleeve		
28	954364	1	Fitting		
29	954356	2	Cap nut		
30	945460	1	Plastic pipe	4473	
31		1	Connector	4473	
32	477986	1	Oil feed pipe		
33	48634	1	Hollow screw		
34	947281	2	Gasket		
35	969299	1	Hollow screw		
36	11994	2	Gasket		
37	952623	1	Clamp		
38	946544	1	Flange screw		
39	945407	1	Flange nut		
40	1136551	1	Bracket		
41	3832387	1	Oil return pipe		
42	48634	1	Hollow screw		
43	907132	2	Gasket		
44	25167	1	Hollow screw		
45	969011	2	Gasket		
46	947191	1	Clamp		
47	946471	1	Screw		
48	940374	1	Clamp		
49	946440	1	Flange screw		