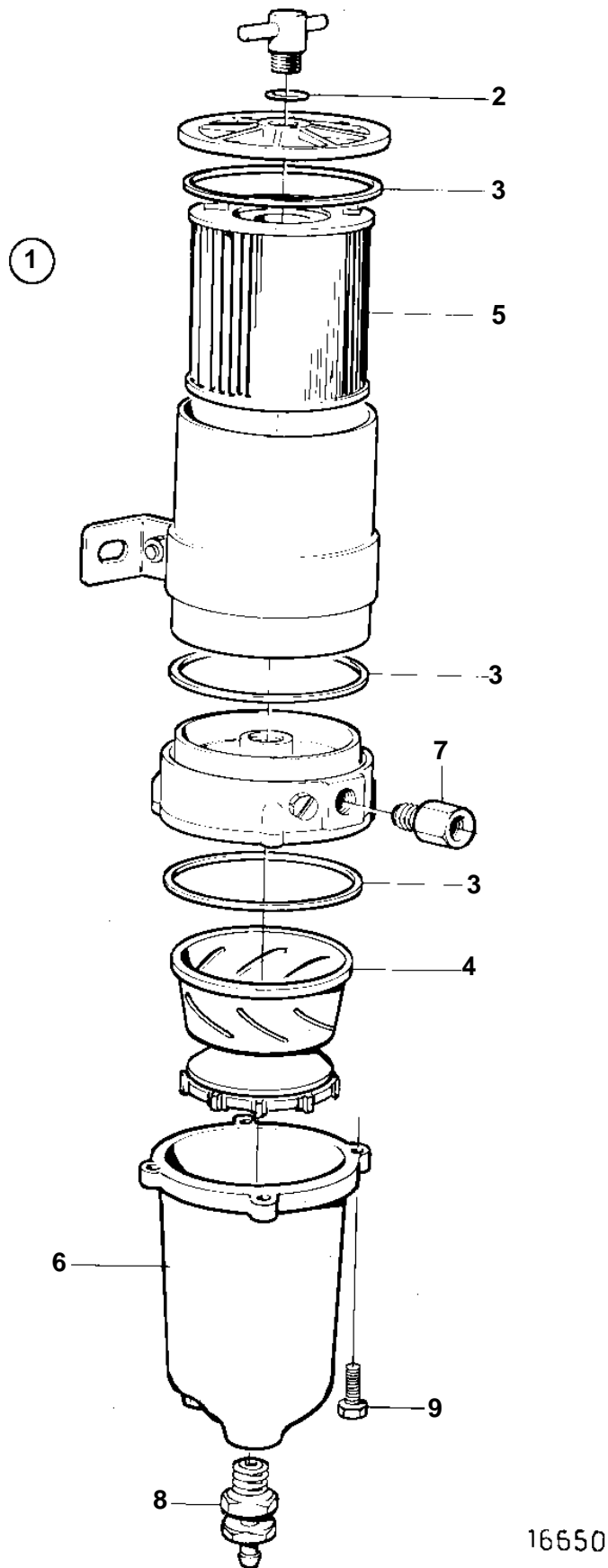


TAMD74A-A, TAMD74A-B, TAMD74C-A, TAMD74L-A, TAMD74P-A, TAMD74C-B, TAMD74L-B, TAMD74P-B, TAMD75P-A



16650

TAMD74A-A, TAMD74A-B, TAMD74C-A, TAMD74L-A, TAMD74P-A, TAMD74C-B, TAMD74L-B, TAMD74P-B, TAMD75P-A

REF	PART NO.	QTY	DESCRIPTION	SEE SEC.	NOTES
1	3825020	1	Fuel cleaner		
			Bulletin 50-10	50-10-EN	Changes in Fuel Filter Program due to Legislation
			Bulletin 50-11A	50-11A-EN	Fuel Filters / Water Separators
2	838505	1	• O-ring		
3	846719	3	• Gasket		
4	3825028	1	• Turbine		
5	3825027	1	• Filter insert		
6	3825030	1	• Bowl		Transparent Bowl.
7	846620	2	• Nipple		
8	3825031	1	• Tap		
9	940094	4	• Screw		