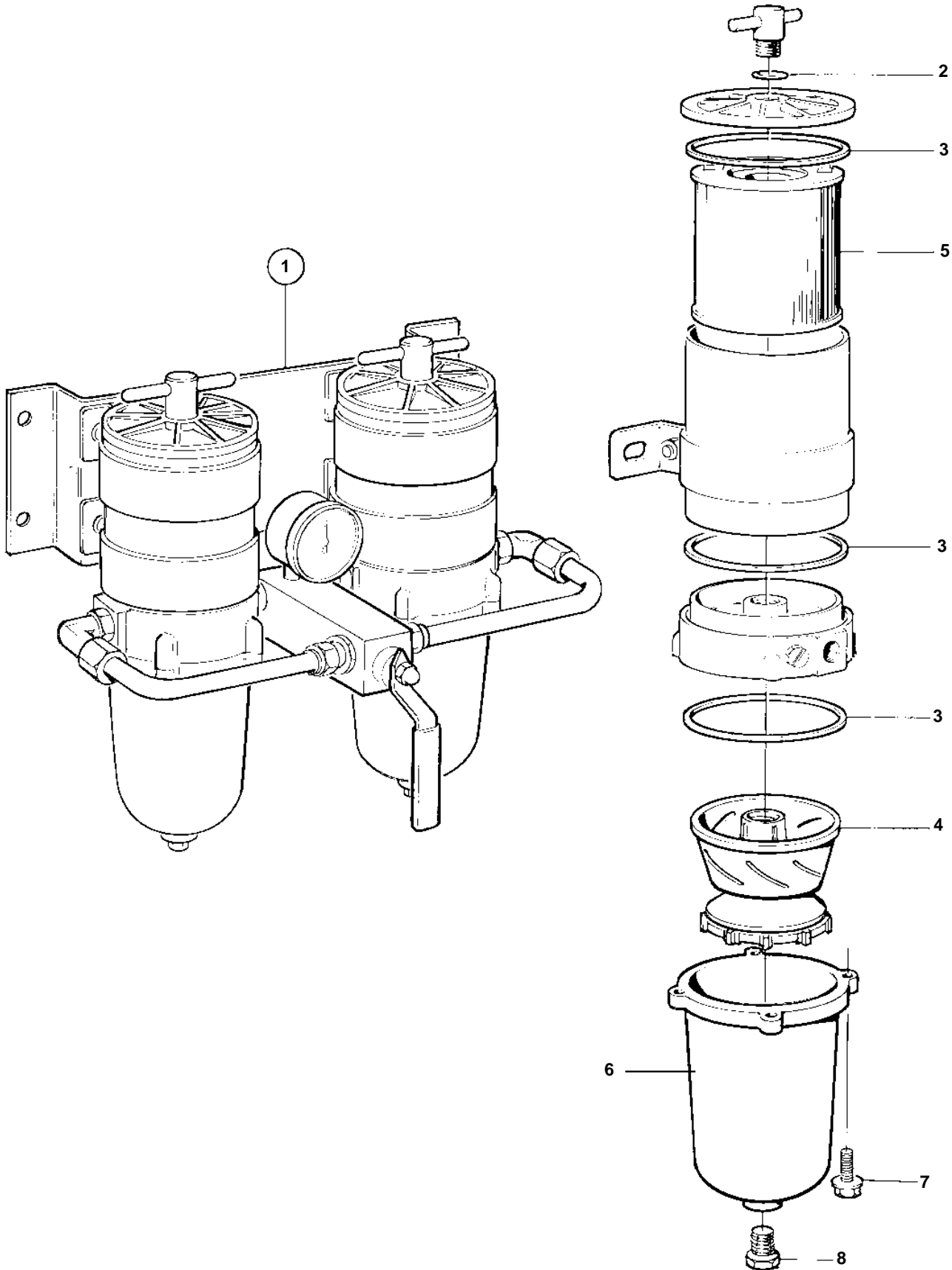


TAMD74A-A, TAMD74A-B, TAMD74C-A, TAMD74L-A, TAMD74P-A, TAMD74C-B, TAMD74L-B, TAMD74P-B, TAMD75P-A



15909

TAMD74A-A, TAMD74A-B, TAMD74C-A, TAMD74L-A, TAMD74P-A, TAMD74C-B, TAMD74L-B, TAMD74P-B, TAMD75P-A

| REF | PART NO. | QTY | DESCRIPTION | SEE SEC. | NOTES |
|-----|----------|-----|-----------------|-----------|---------------------------------|
| 1 | 3825022 | 1 | Fuel cleaner | | LATE TYPE |
| | | | Bulletin 50-11A | 50-11A-EN | Fuel Filters / Water Separators |
| 2 | 838505 | 2 | · O-ring | | |
| 3 | 846719 | 6 | · Gasket | | |
| 4 | 3825028 | 2 | · Turbine | | |
| 5 | 3825027 | 2 | · Filter insert | | |
| 6 | 848293 | 2 | · Bowl | | |
| 7 | 940094 | 8 | · Screw | | |
| 8 | 952075 | 2 | · Plug | | |