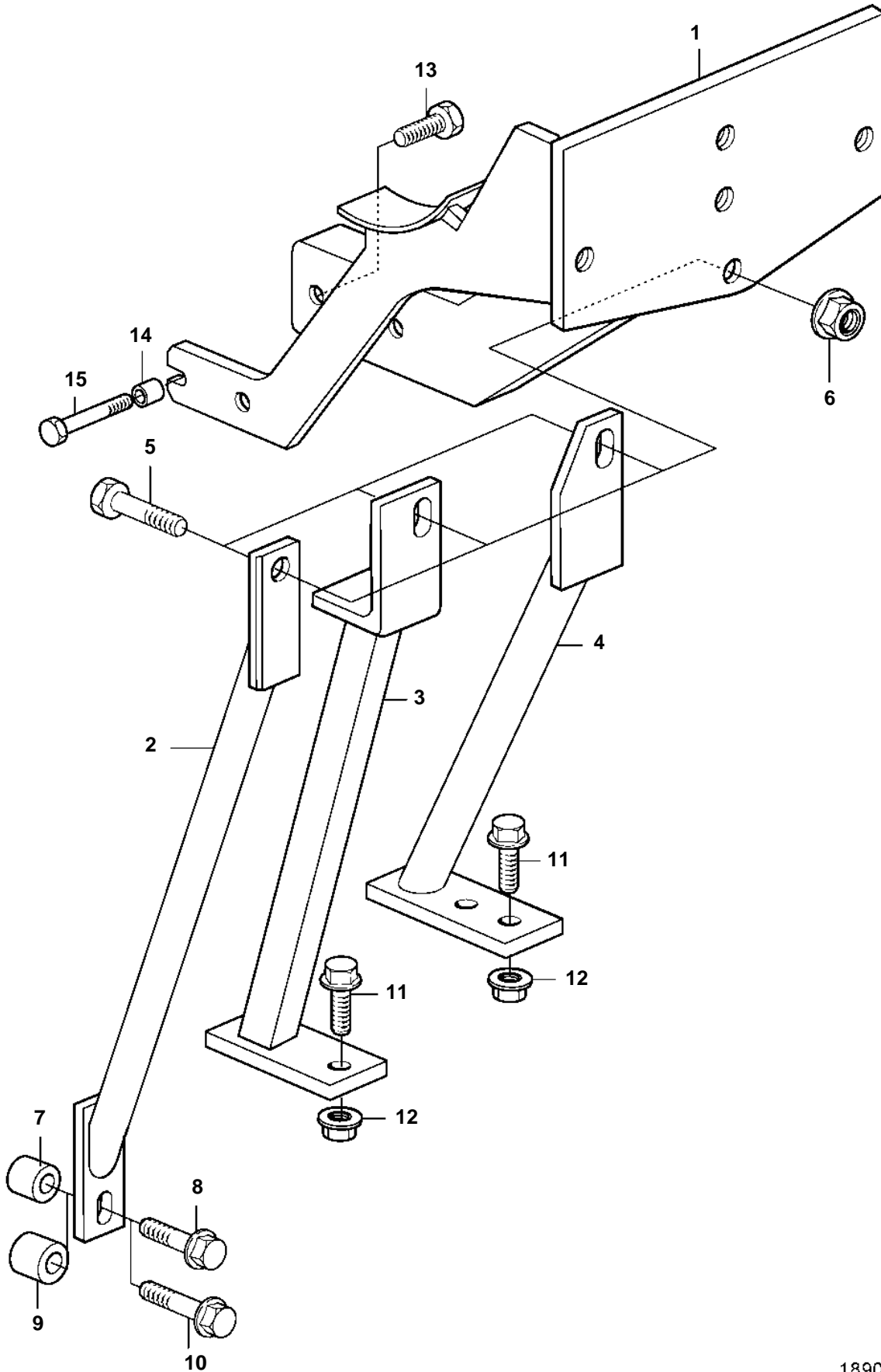


TAMD74A-A, TAMD74A-B



TAMD74A-A, TAMD74A-B

REF	PART NO.	QTY	DESCRIPTION		NOTES
1	3829688	1	Bracket		
4	3831235	1	Bracket		
5	946472	1	Screw		L=10mm
6	971095	1	Nut		
11	965225	2	Flange screw		L=35mm
12	971096	2	Nut		
13	946329	3	Flange screw		
14	973430	1	Spacer sleeve	SO	10.4x20x36
15	965187	1	Screw		L=60mm