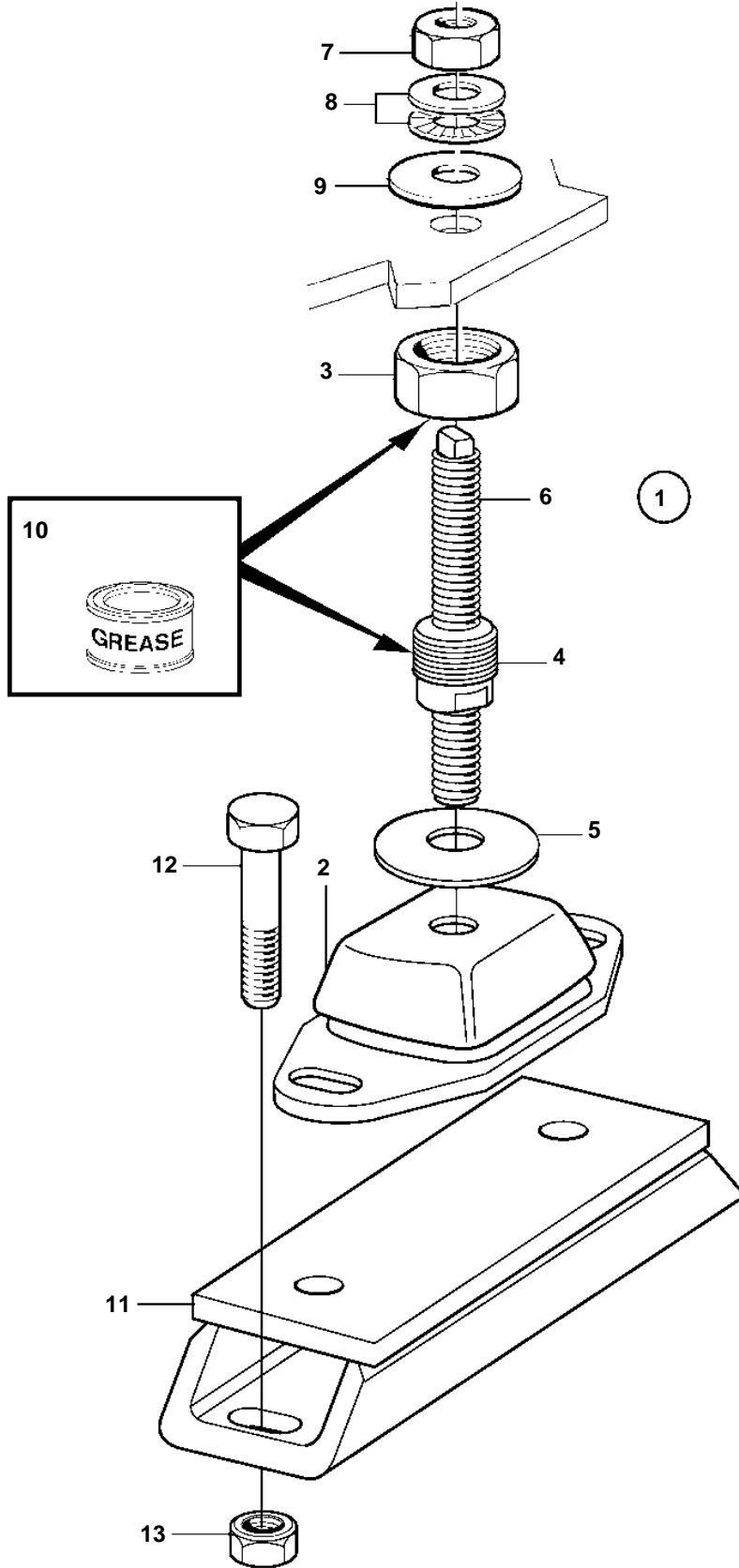


TAMD74L-A, TAMD74P-A, TAMD74L-B, TAMD74P-B, TAMD75P-A



TAMD74L-A, TAMD74P-A, TAMD74L-B, TAMD74P-B, TAMD75P-A

| REF | PART NO. | QTY | DESCRIPTION | NOTES |
|-----|----------|-----|-------------------------|----------------------------------|
| 1 | 3829462 | 1 | Rubber element kit | 60SH (3828256) |
| 2 | 3828247 | 1 | · Rubber cushion | |
| 3 | 3828255 | 1 | · Adjusting sleeve, nut | |
| 4 | | | · Adjusting sleeve | |
| 5 | | | · Washer | |
| 6 | 3828724 | 1 | · Adjusting screw | |
| 7 | 955786 | 1 | · Nut | |
| 8 | 847766 | 1 | · Lock washer | ALT |
| 9 | 120224 | 1 | · Washer | |
| 10 | 1141644 | X | · Grease | |
| 11 | 3832361 | 1 | Spacer | For front end engine suspension. |
| 12 | 966356 | 2 | Flange screw | |
| 13 | 971097 | 2 | Nut | |