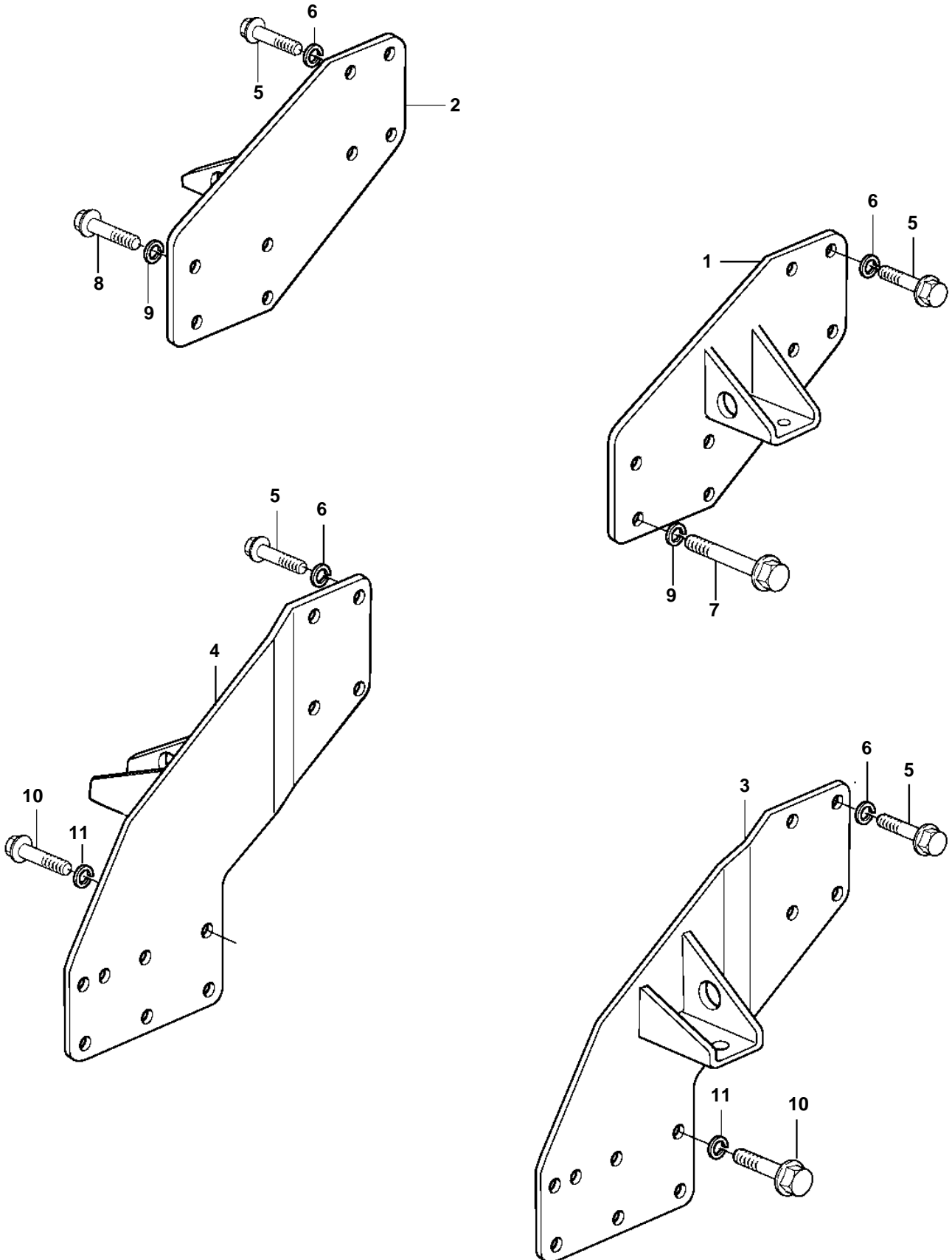


TAMD74A-A, TAMD74A-B



TAMD74A-A, TAMD74A-B

REF	PART NO.	QTY	DESCRIPTION	NOTES
3	848395	1	Bracket, MG5091DC	SO S.B
4	3831516	1	Bracket, MG5091DC	P
5	970900	8	Screw	L=40mm
6	940280	8	Spring washer	
10	955590	12	Screw	L=38mm
11	955900	12	Washer	