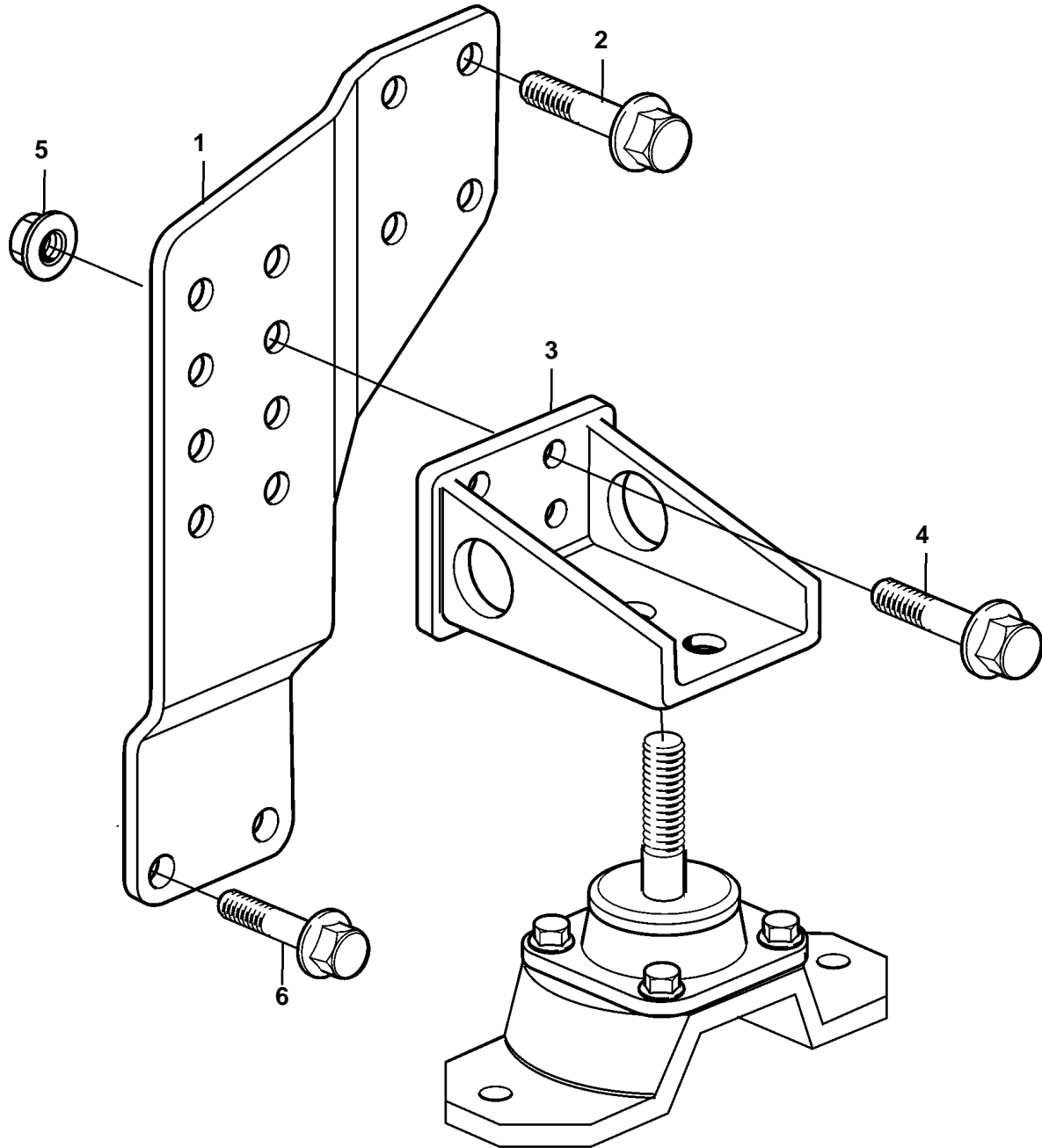


TAMD74A-A, TAMD74A-B, TAMD74C-A, TAMD74L-A, TAMD74P-A, TAMD74C-B, TAMD74L-B, TAMD74P-B, TAMD75P-A



TAMD74A-A, TAMD74A-B, TAMD74C-A, TAMD74L-A, TAMD74P-A, TAMD74C-B, TAMD74L-B, TAMD74P-B, TAMD75P-A

REF	PART NO.	QTY	DESCRIPTION	NOTES
1	848499	1	Bracket	SB
	848500	1	Bracket	P
2	965225	8	Flange screw	M12x25mm (966343)
3	848369	2	Bracket	
4	965225	8	Flange screw	M12x25mm (966343)
5	971099	8	Flange lock nut	
6	968435	4	Flange screw	M16x40