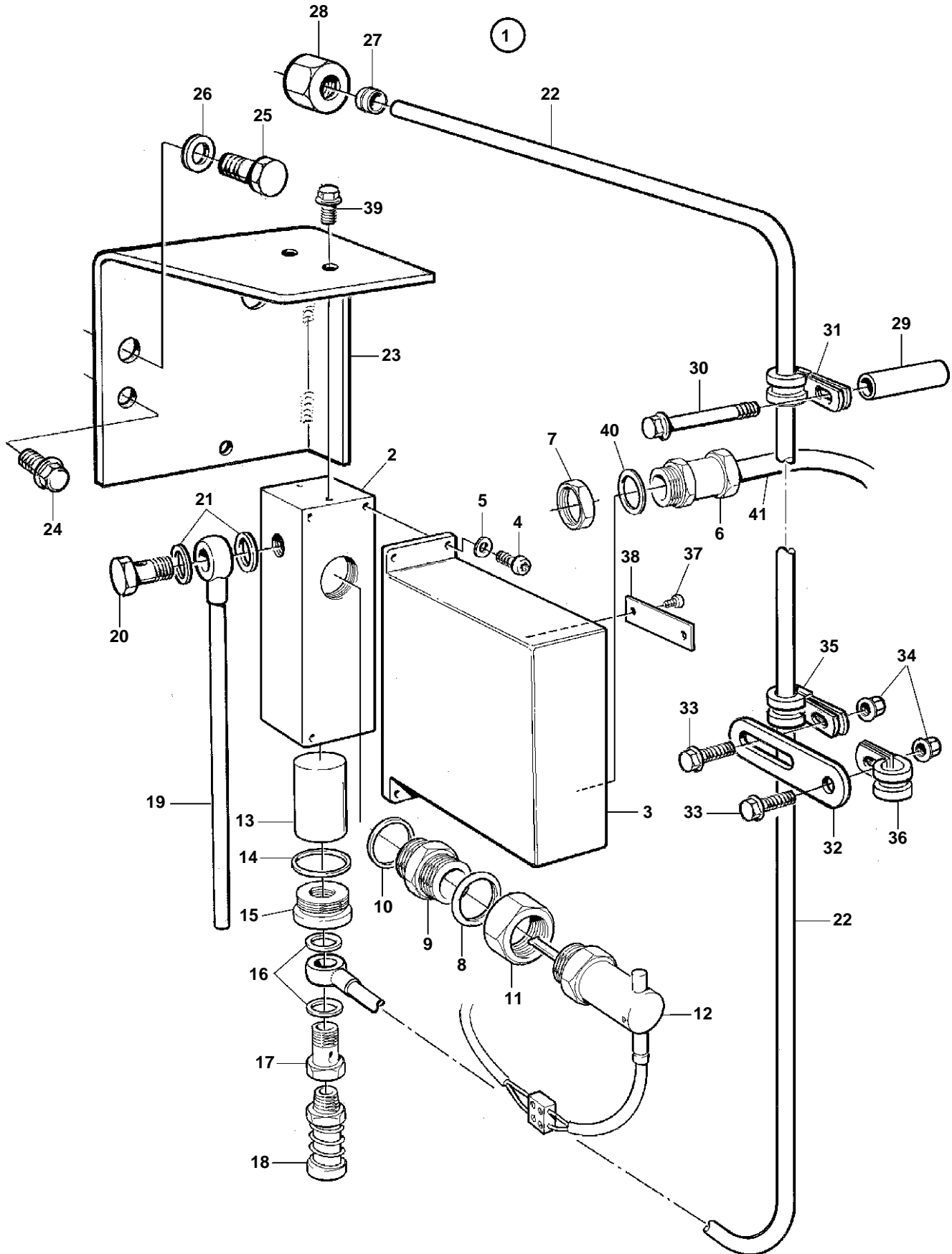


TAMD74A (AUX)



17165

## TAMD74A (AUX)

REF	PART NO.	QTY	DESCRIPTION	SEE SEC.	NOTES
1		1	Leak sensor		
2	849345	1	· Housing		
3		1	· Protection		
4	956060	4	· Screw		
5	941904	4	· Spring washer		
6	881191	1	· Cable union		
7	880244	1	· Nut		
8	15304	1	· Gasket		
9	843688	1	· Nipple		
10	957181	1	· Gasket		
11	843640	1	· Lock nut		
12	843757	1	· Flow sensor		
13	843815	1	· Float		
14	957191	1	· Gasket		
15	843639	1	· Plug		
16	957178	2	· Gasket		
17	823417	1	· Hollow screw		
18	844770	1	· Valve		
19	3826835	1	Fuel pipe		
20	25167	1	Hollow screw		
21	969011	2	Gasket		
22	3835890	1	Fuel pipe		
23	3826004	1	Bracket		
24	947107	1	Flange screw		M8x12mm
25	946670	1	Flange screw		M10x14mm
26	976945	1	Washer		
27	956969	1	Ferrule		
28	956983	1	Nut		
29		1	Spacer sleeve		
30	965217	1	Flange screw		M8x65mm
31	949746	1	Clamp		
32	965535	1	Bracket		
33	946544	2	Flange screw		M6x16
34	949278	2	Lock nut		M6
35	952625	1	Clamp		
36	952637	1	Clamp		
37	955113	2	Screw		
38		1	Sign		
39	967949	2	Screw		M6x12 (965175)
40	11998	1	Gasket		
41	874854	X	Cable		2x1,5sq.mm. Non reinforced ship cable approved by classification societies.
		X	Electrical materials	1963	