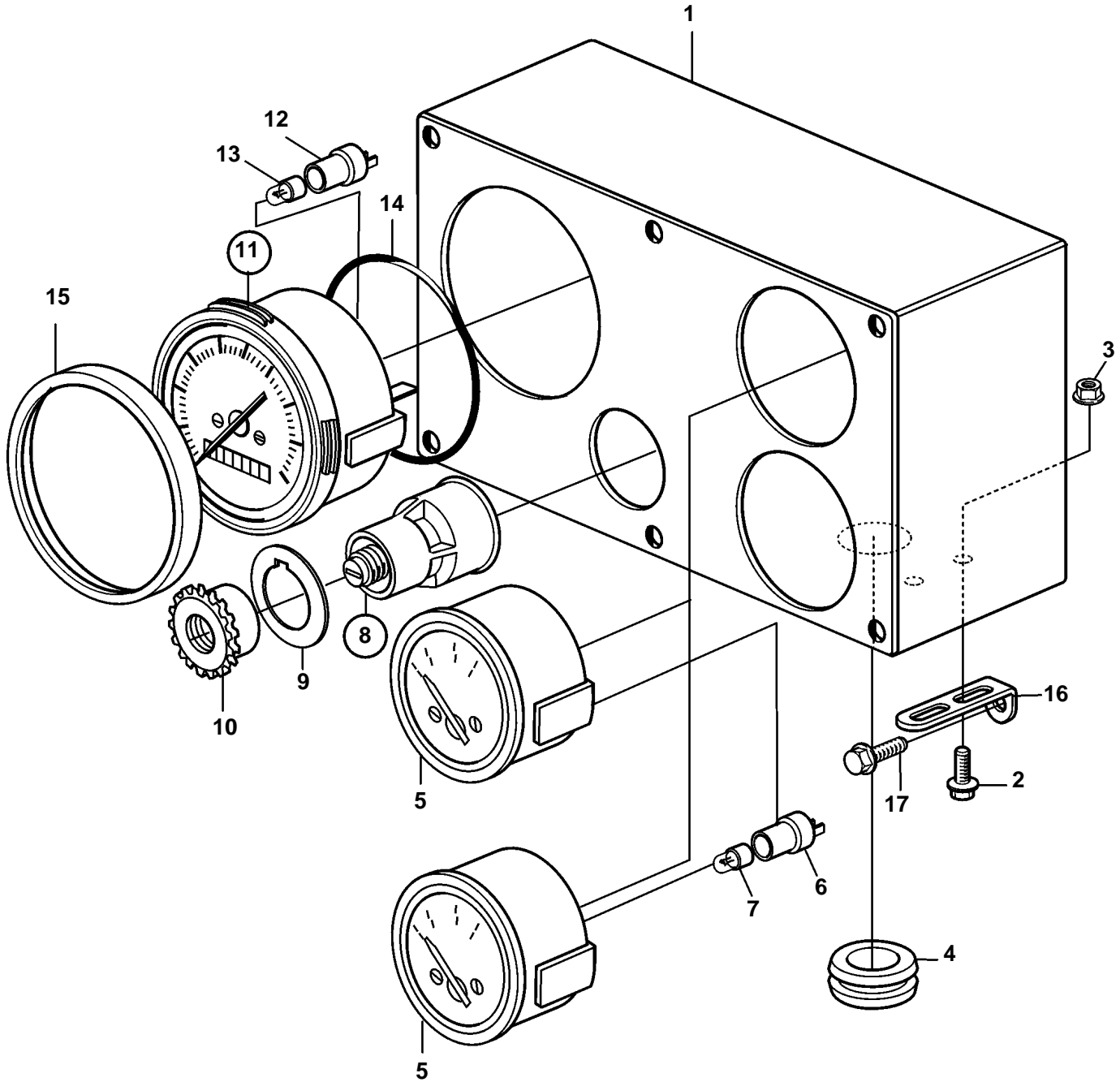


TAMD74A AUX



TAMD74A AUX

REF	PART NO.	QTY	DESCRIPTION		NOTES
1	3827599	1	Box	SO	
2	945414	4	Screw		
3	949278	4	Lock nut		
4	941269	1	Cable grommet		
5	862082	1	Pressure gauge		
	862076	1	Temperature gauge		
6	808175	1	Bulb socket		
7	828818	1	Bulb		
8	864277	1	Starter switch		
9	860086	1	· Marking label		
10	859955	1	· Plastic nut		
11	874496	1	Rev counter kit		
12	808175	1	· Bulb socket		
13	828818	1	· Bulb		
14	873232	1	· O-ring		REPL BY 883232
	883232	1	· Cardboard tube		
15	873683	1	Front ring		
16	965558	2	Bracket		
17	946934	2	Flange screw		