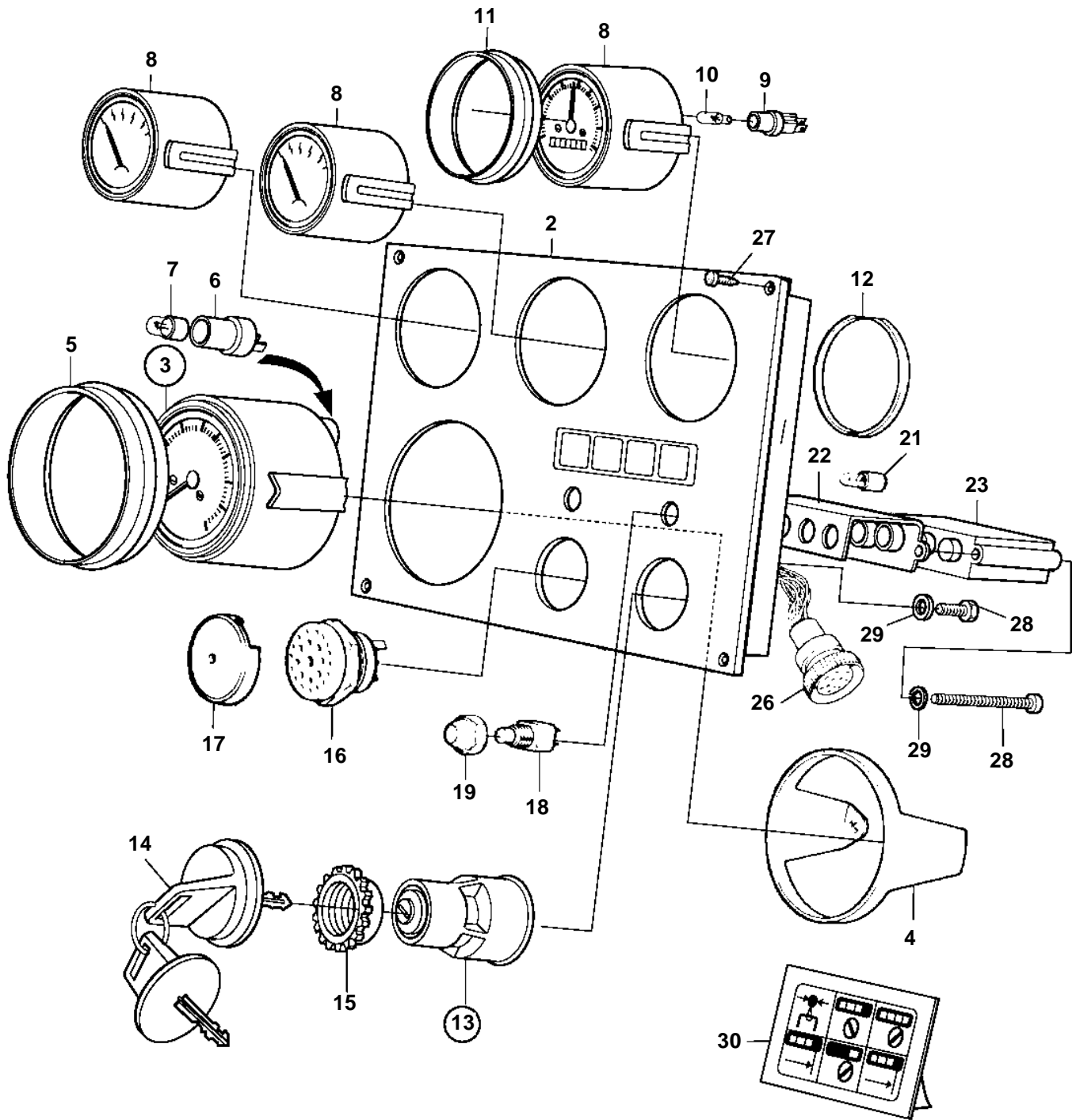


TAMD74C-A, TAMD74L-A, TAMD74P-A

①



TAMD74C-A, TAMD74L-A, TAMD74P-A

REF	PART NO.	QTY	DESCRIPTION	SEE SEC.	NOTES
1	864045	1	Instrument panel		REPLACED BY 873590. Fits bulb with base BA 7S.
				787	
2	860182	1	• Instrument panel		
3	854909	1	• Tachometer		REPL BY 873998
	873998	1	Rev counter kit		Order also front ring 873517 and mounting kit 873208.
4	849523	1	• • Attaching ring		
5	858644	1	• • Front ring		
6	808175	1	• Bulb socket		
7	19923	1	• Bulb		
8	873195	1	• Temperature gauge		(863932)
	873197	1	• Oil pressure gauge		(863934). For bulb with base W2X4,6d.
	873199	1	• Voltmeter		(863930)
9	863945	3	• • Bulb socket		State key code when ordering.
10	863946	3	• • Bulb		RED, 12V, 2W W2x4,6d
11	858643	3	• Front ring		
12	828803	3	• Ring		
13	864277	1	• Starter switch		
14	859953	2	• • Key		State key code when ordering.
			• • Bulletin 49-30	49-30-EN	Key P/N 859953
15	859955	1	• • Plastic nut		
16	828587	1	• Buzzer		
17	858795	1	• Protecting casing		12V
18	828584	1	• Switch		ALARM TEST
	828585	1	• Switch		INSTR. LIGHT
19	828586	2	• Nut		
20	858645	1	• Symbol strip		
21	19923	4	• Bulb		
22	828784	1	• Reflector		
23	873737	1	• Electronic unit		
24	941615	2	• Screw		
25	941904	2	• Spring washer		
26	828646	1	• Cable trunk		
27	828647	4	• Screw		
28	949947	1	• Screw		
29	941904	1	• Spring washer		
30		1	• Decal		Starting instructions.