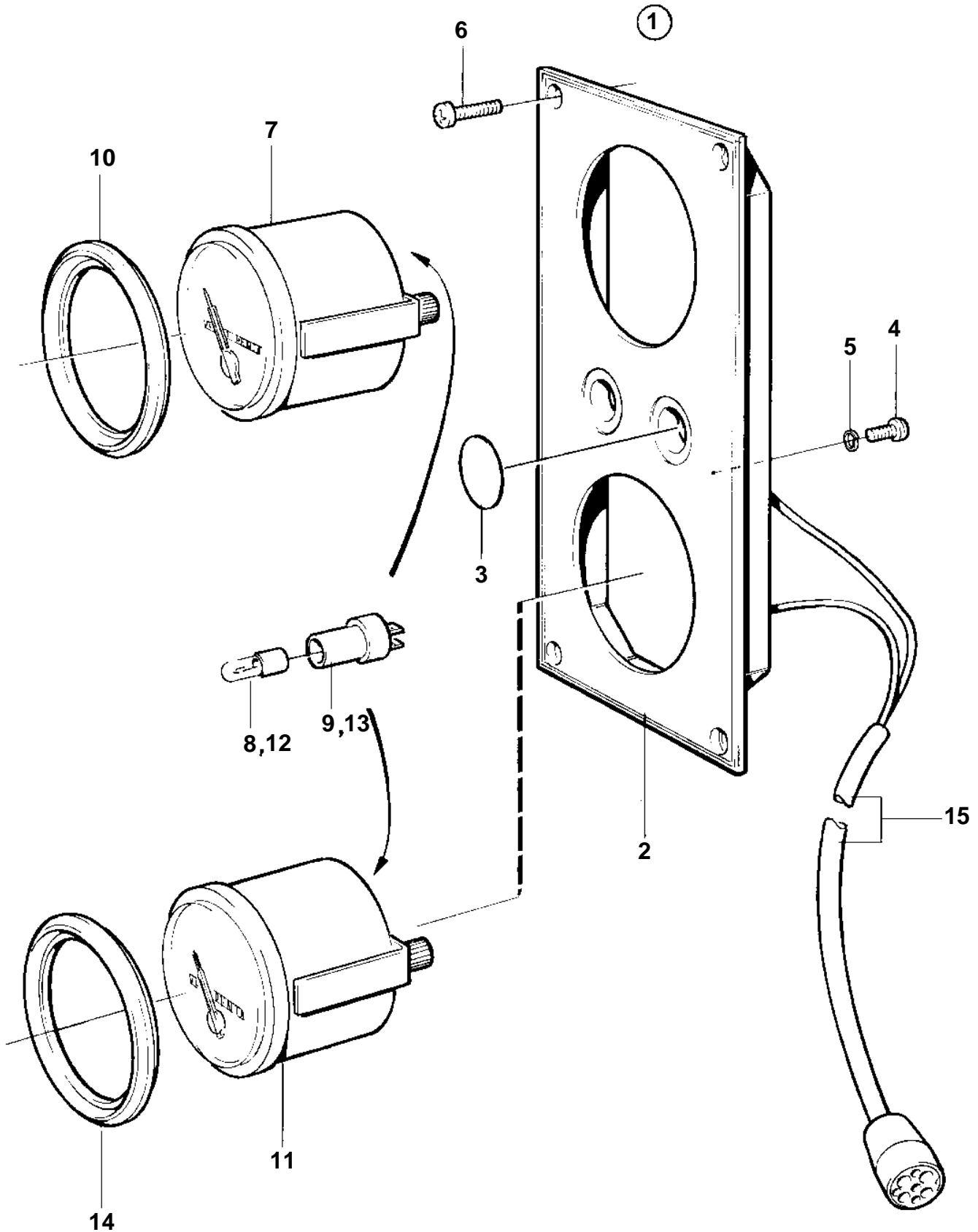


TAMD74A-A, TAMD74A-B, TAMD74C-A, TAMD74L-A, TAMD74P-A, TAMD74C-B, TAMD74L-B, TAMD74P-B, TAMD75P-A



TAMD74A-A, TAMD74A-B, TAMD74C-A, TAMD74L-A, TAMD74P-A, TAMD74C-B, TAMD74L-B, TAMD74P-B, TAMD75P-A

REF	PART NO.	QTY	DESCRIPTION	SEE SEC.	NOTES
1	864050	1	Instrument panel		White coloured stripe.
2		1	· Instrument panel		
3	828607	2	· · Cover plate		
4	949947	1	· · Screw		
5	941904	1	· · Spring washer		
6	828647	4	· · Screw		
7	873202	1	· Oil pressure gauge		(863937)
8	863947	1	· · Bulb		RED. For instruments of early production should white bulb 182059 and bulb holder 808175 be mounted.
9	863945	1	· · Bulb socket		For instruments of early production should white bulb 182059 and bulb holder 808175 be mounted.
10	858643	1	· Front ring		
11	873204	1	· Turbo pressure gauge		0-2bar
12	863947	1	· · Bulb		RED. For instruments of early production should white bulb 182059 and bulb holder 808175 be mounted.
13	863945	1	· · Bulb socket		For instruments of early production should white bulb 182059 and bulb holder 808175 be mounted.
14	858643	1	· Front ring		
15		X	· Cable trunkElectrical materials	1963	Turbocharge-reverse gear.