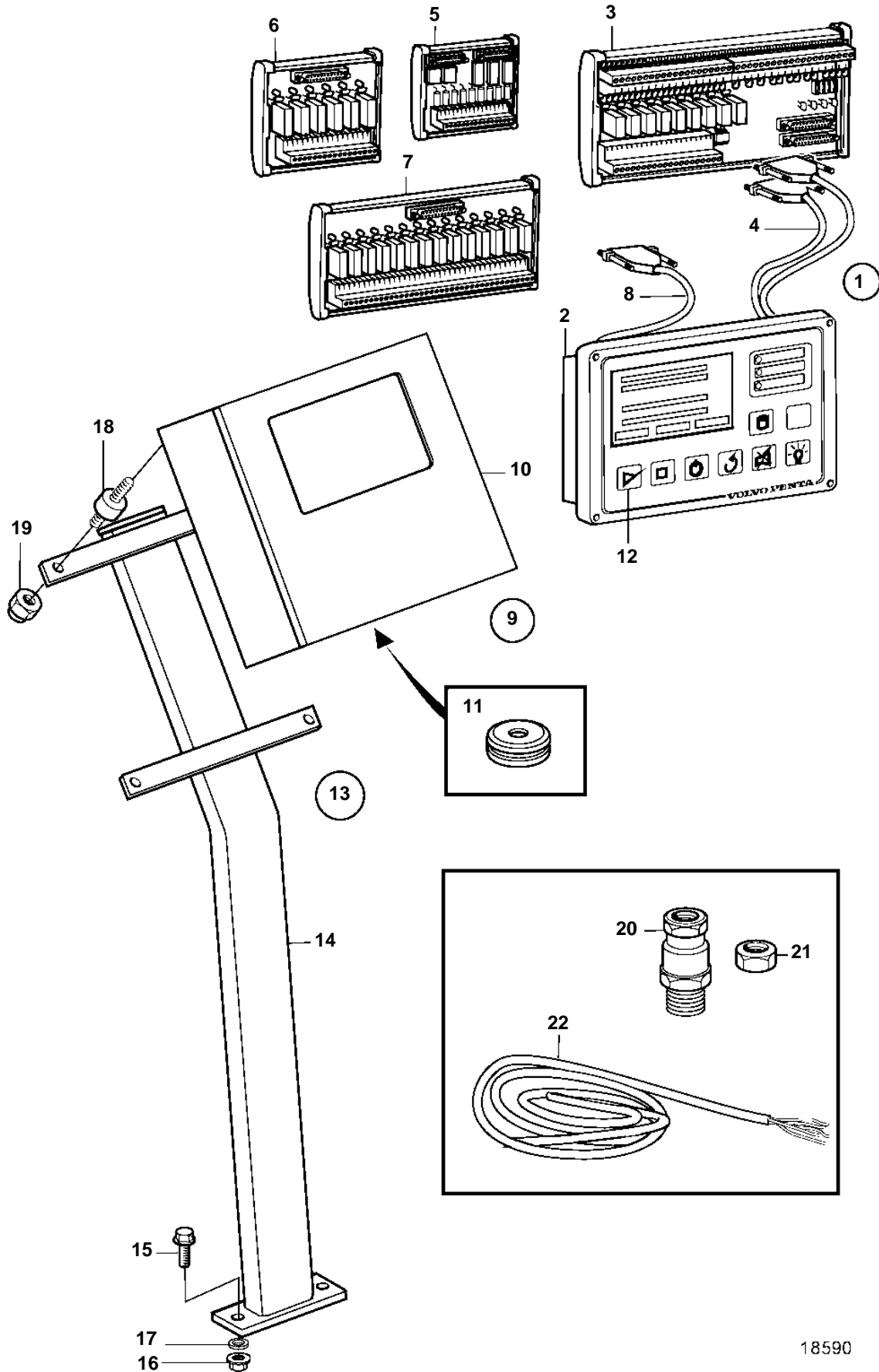


TAMD74A-A, TAMD74A-B, TAMD74A AUX



18590

TAMD74A-A, TAMD74A-B, TAMD74A AUX

REF	PART NO.	QTY	DESCRIPTION	NOTES
1		1	Control panelControl unit	CU 2500 A
2		1	· Control unit	
3	874162	1	· Terminal, RK-60	REPL BY 874466
		1	· Terminal, RK-66	
4	874163	2	· Wiring harness	25-pin D-SUB
5	874243	1	Relay	AK-6
6	874165	1	Relay	MK-6
7	874164	1	Relay	MK-14
8	874166	1	Wiring harness	15-pin D-SUB
9		1	Box	
10	3830520	1	· Box	
11	941268	3	· Protecting plug	
12	662620	1	· Rubber button	
13		1	Support	
14	3828433	1	· Bracket	SO
15	965193	2	· Screw	
16	971099	2	· Flange lock nut	
17		2	· Washer	
18	863415	4	· Rubber cushion	
19	948645	4	· Lock nut	
20	881193	2	· Cable union	
21	880755	2	· Nut	
22	874131	1	· Cable	L=3000mm